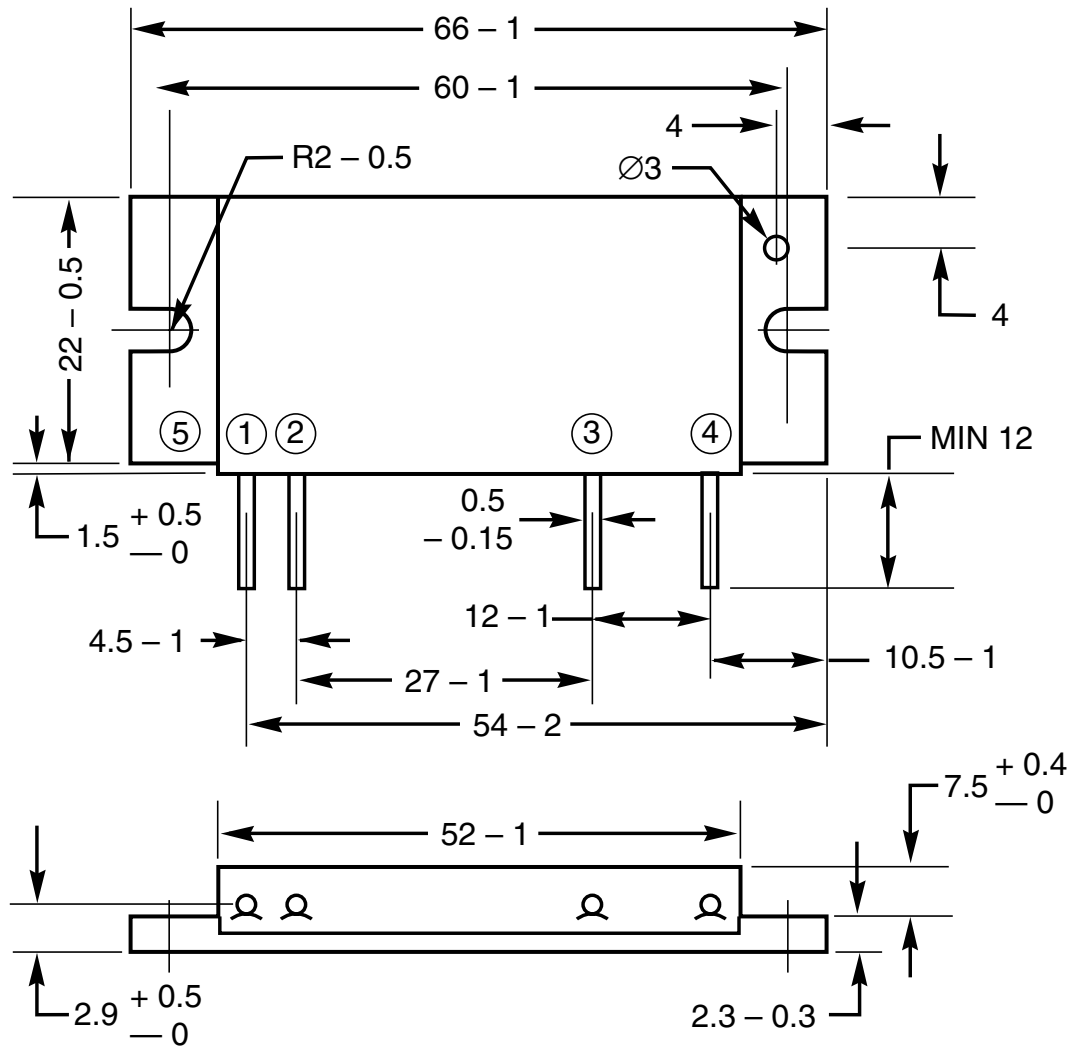


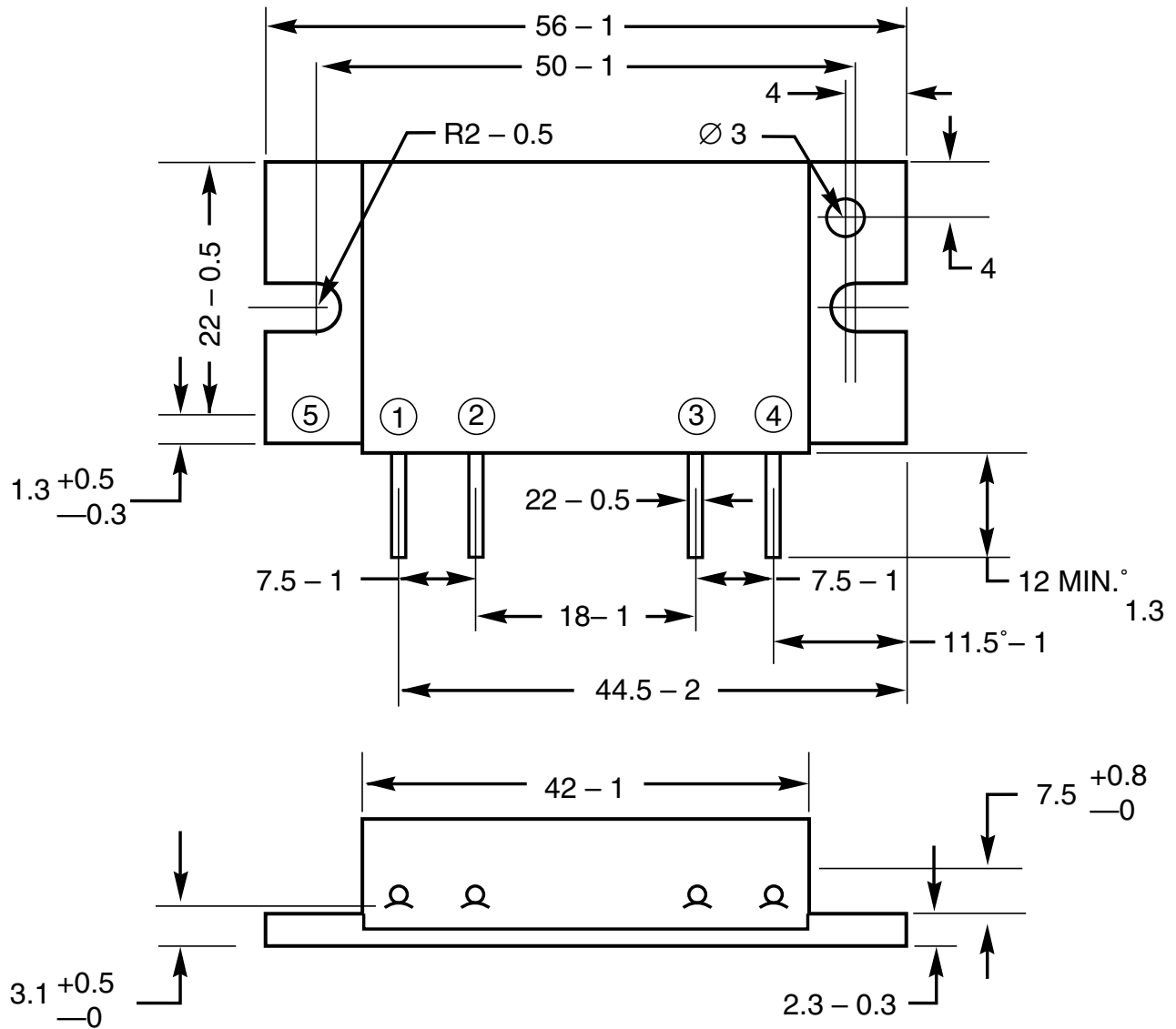
H2



PIN:

- ① INPUT
- ② V_{CC1}
- ③ V_{CC2}
- ④ OUTPUT
- ⑤ GND

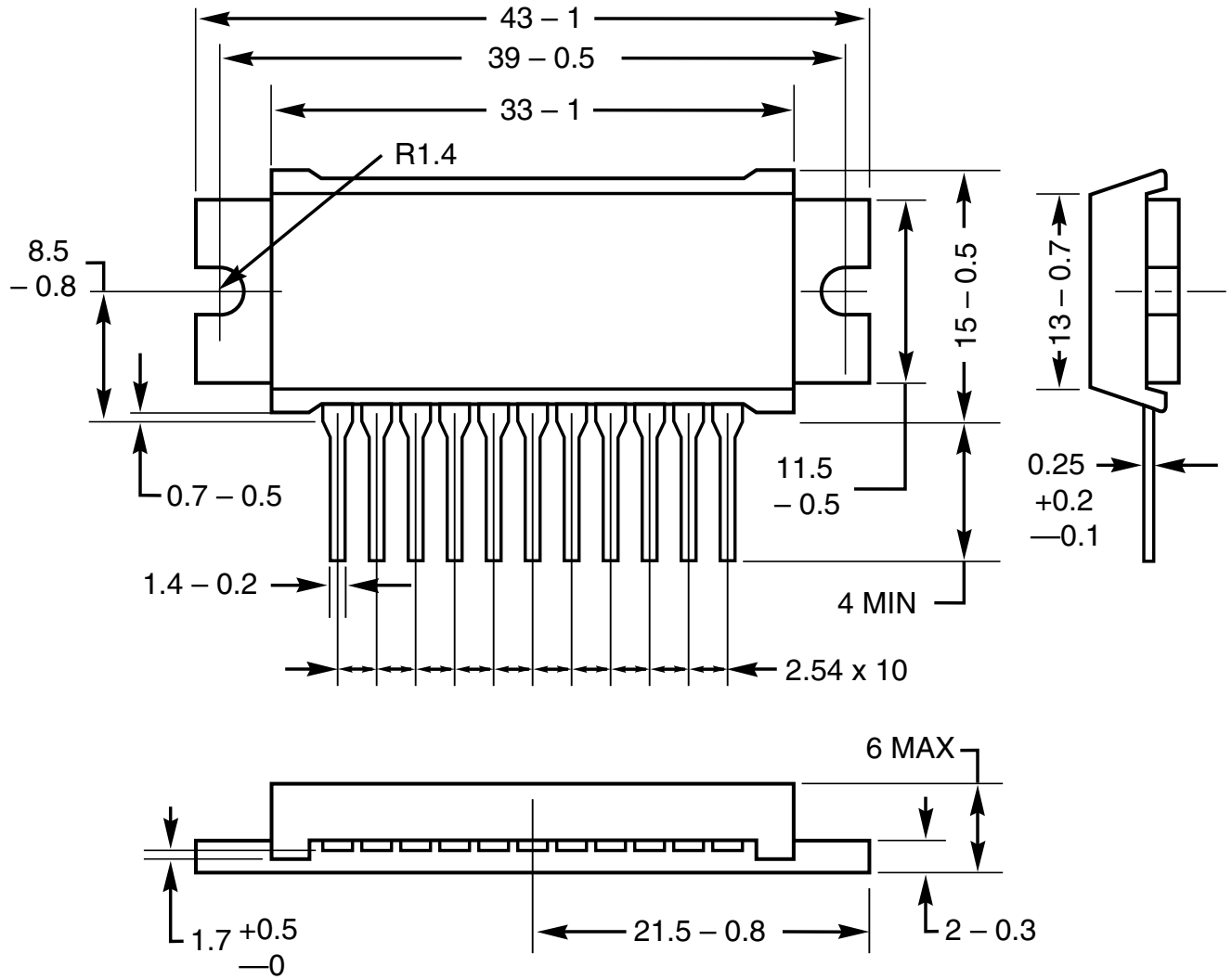
H6



PIN:

- ① INPUT
- ② V_{CC1}
- ③ V_{CC2}
- ④ OUTPUT
- ⑤ GND

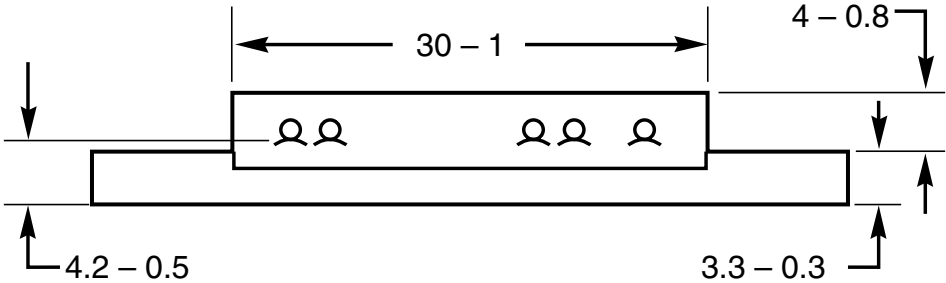
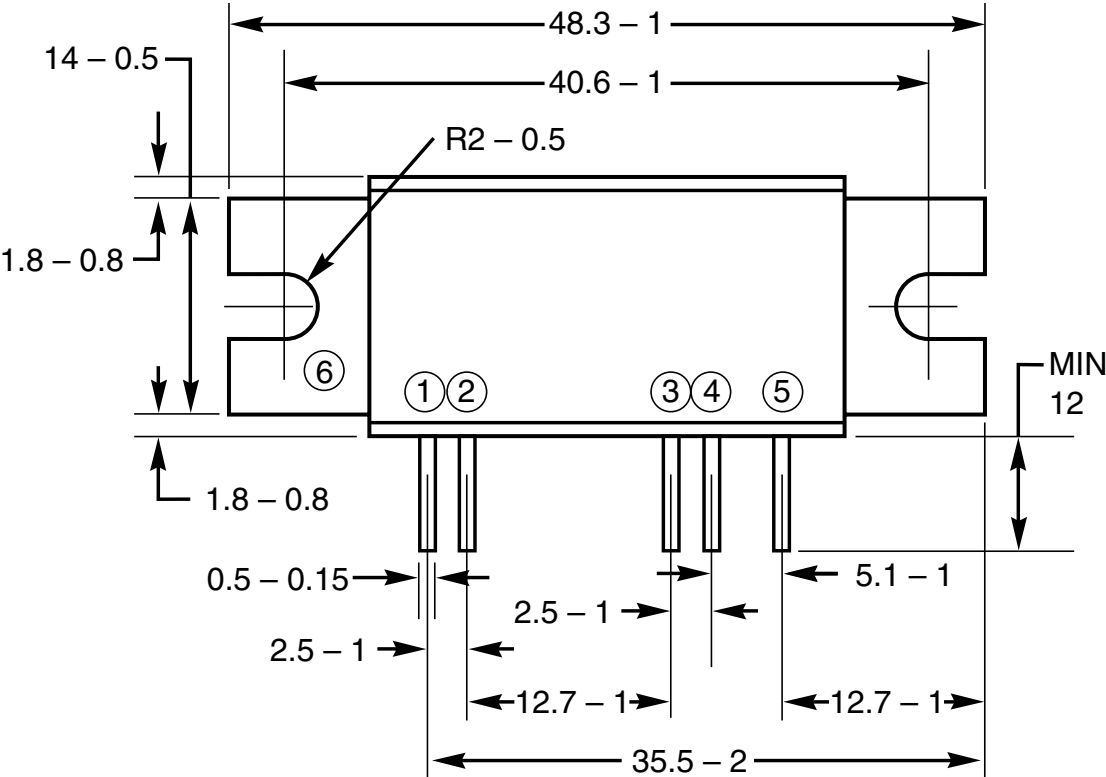
H8



PIN:

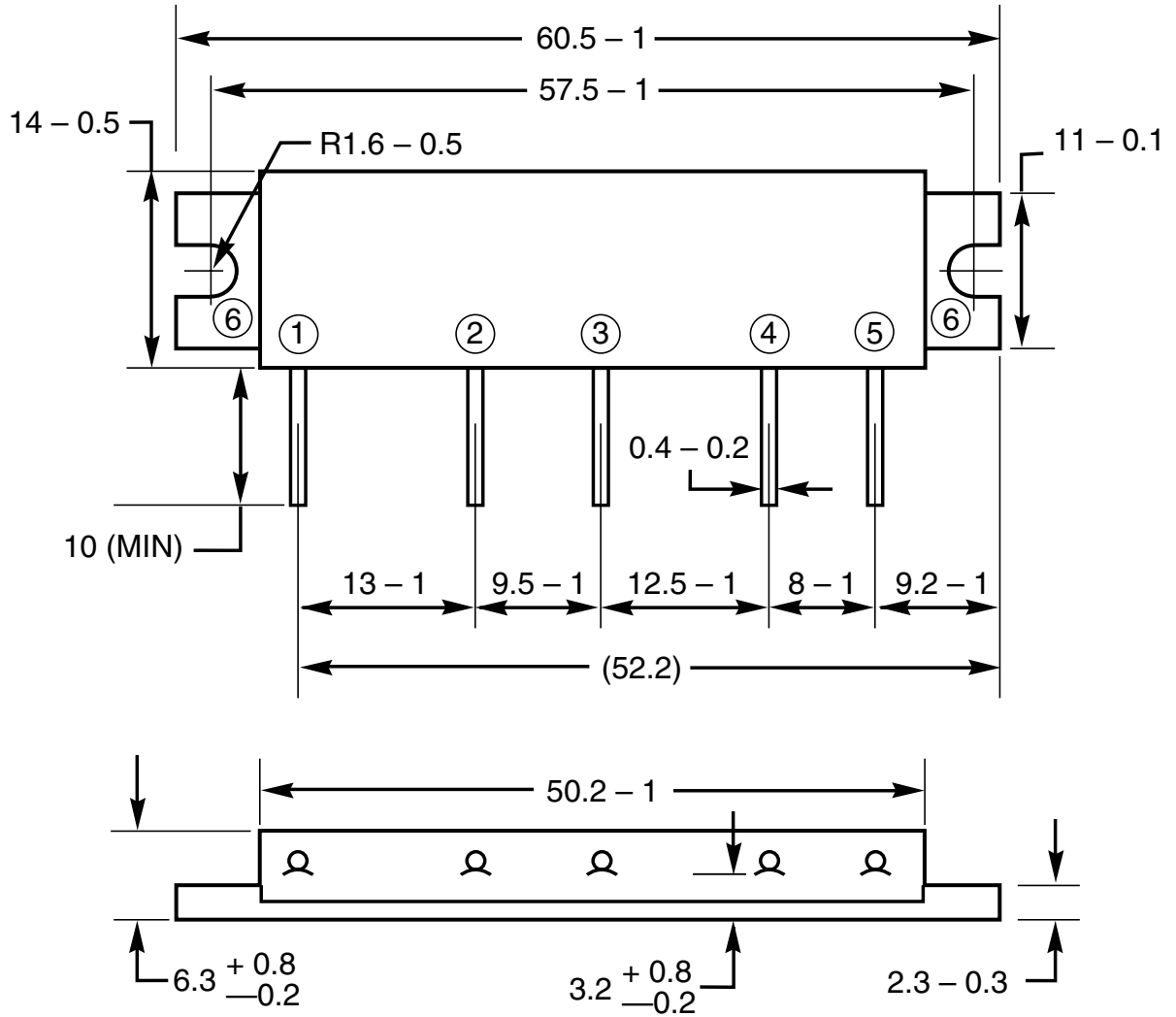
- | | |
|--------------------|--------------------|
| ① INPUT | ⑨ V _{CC2} |
| ②~④ GND | ⑩ GND |
| ⑤ V _{CC1} | ⑪ OUTPUT |
| ⑥~⑧ GND | ⑫ GND |

H10



- PIN:
- ① INPUT
 - ② V_{CC1}
 - ③ V_{BB}
 - ④ V_{CC2}
 - ⑤ OUTPUT
 - ⑥ GND

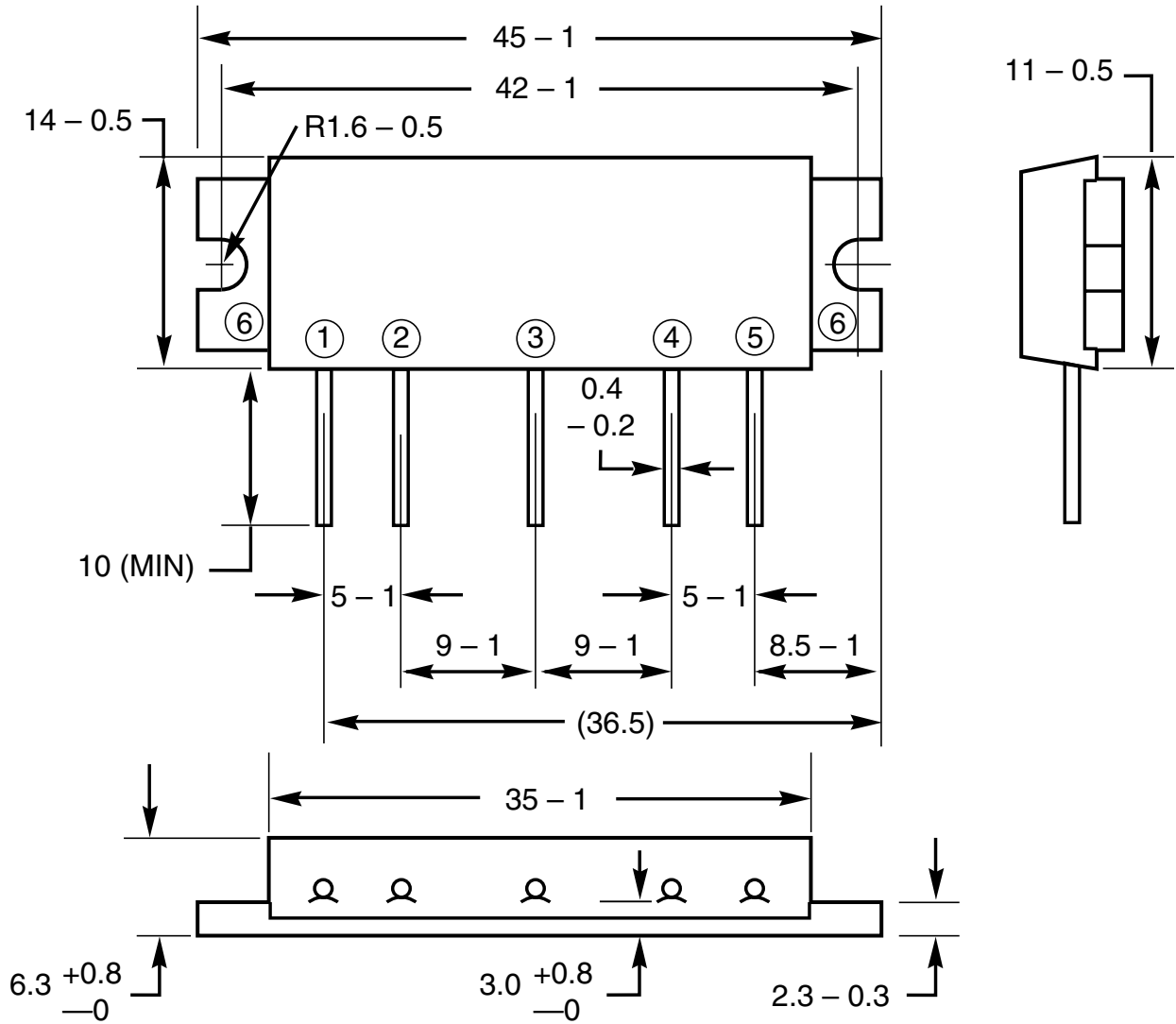
H11



PIN:

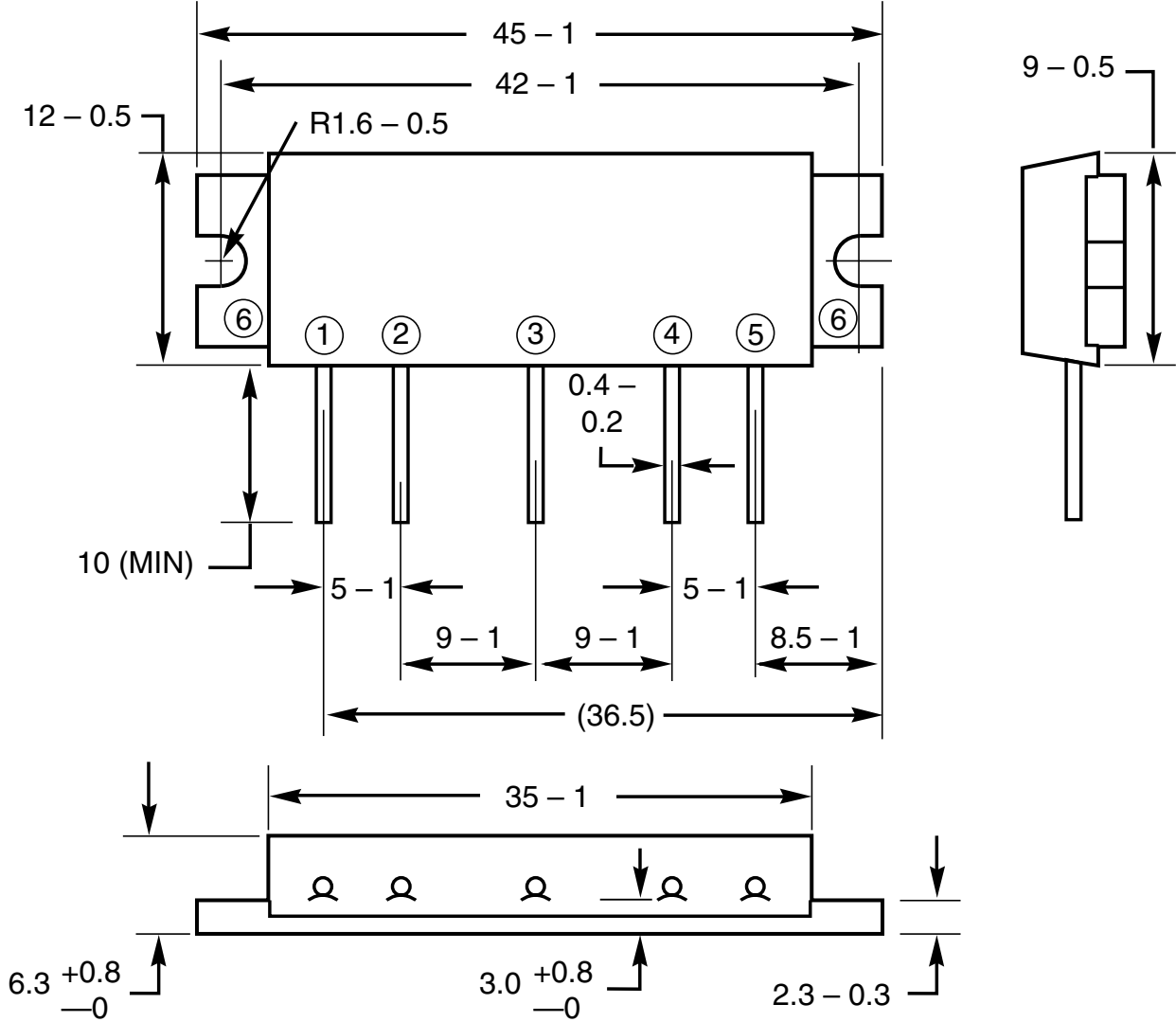
- ① INPUT
- ② V_{CC1}
- ③ V_{BB}
- ④ V_{CC2}
- ⑤ OUTPUT
- ⑥ GND

H12A,B



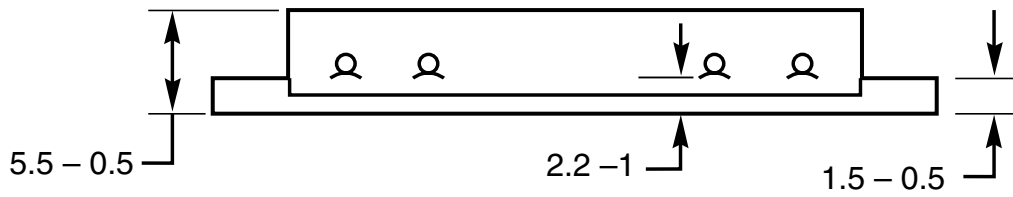
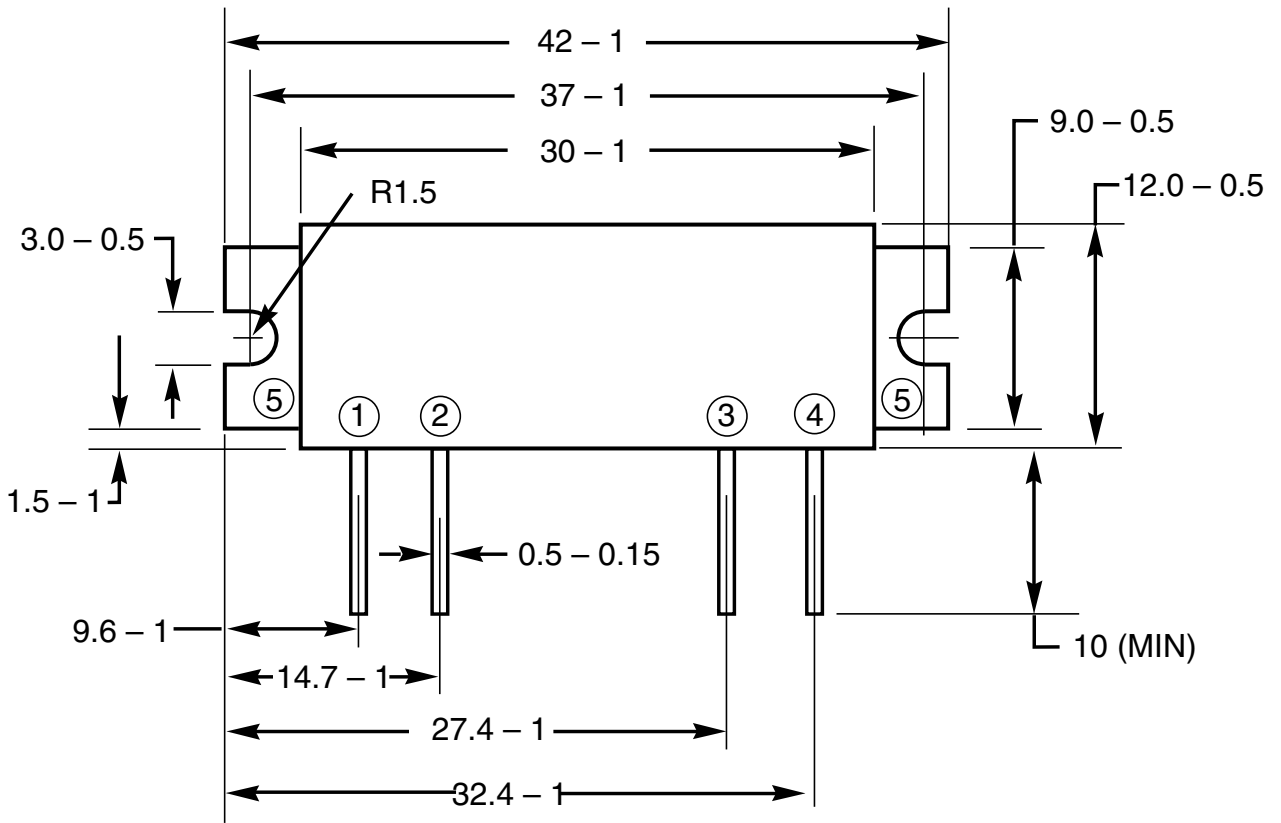
PIN:	A	B
①	INPUT	INPUT
②	V _{CC1}	V _{CC1}
③	V _{BB}	V _{CC2}
④	V _{CC2}	V _{CC3}
⑤	OUTPUT	OUTPUT
⑥	GND	GND

H13A,B



PIN:	A	B
①	INPUT	INPUT
②	V _{CC1}	V _{CC1}
③	V _{BB}	V _{CC2}
④	V _{CC2}	V _{CC3}
⑤	OUTPUT	OUTPUT
⑥	GND	GND

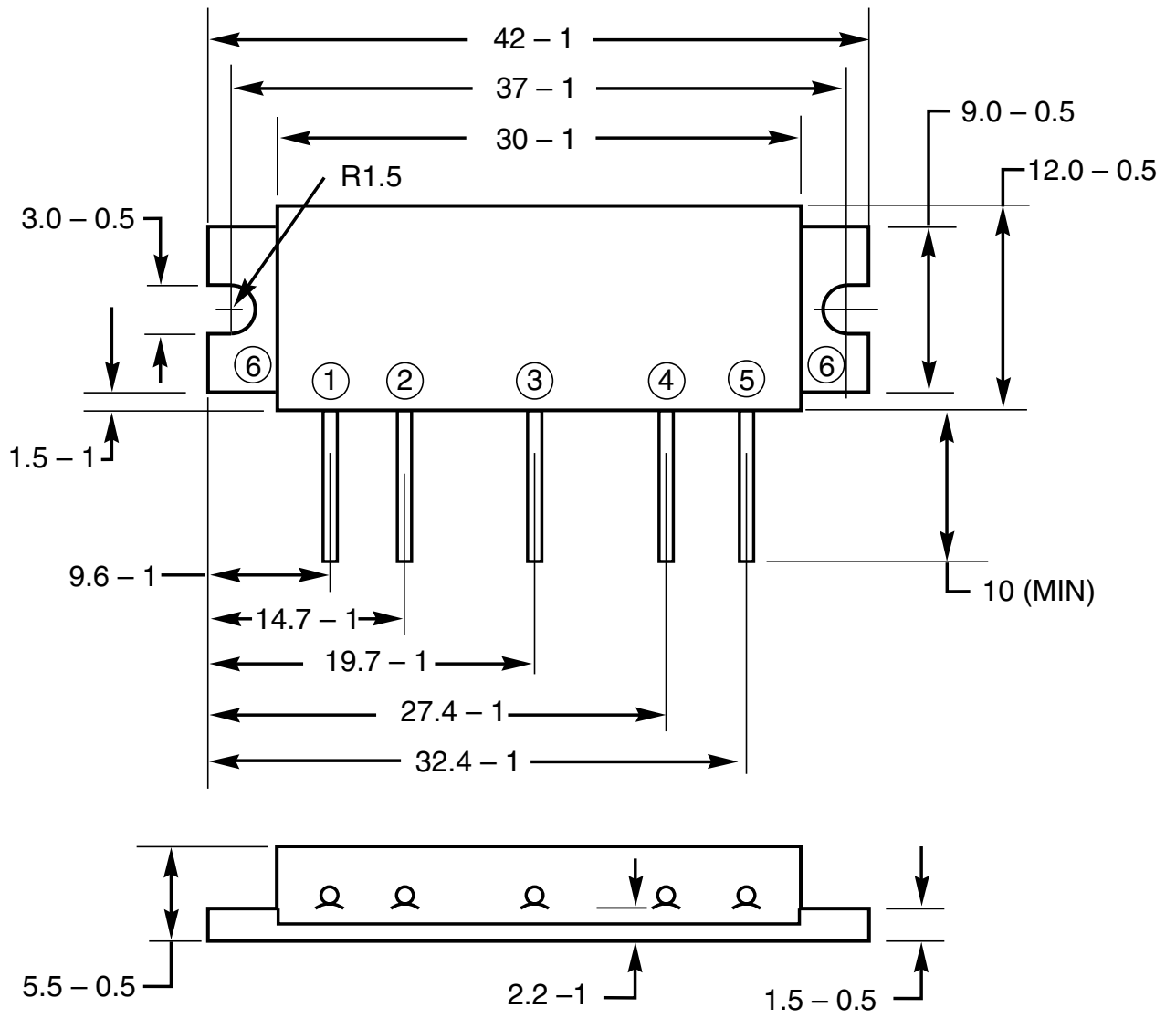
H14



PIN:

- ① INPUT
- ② V_{CC1}
- ③ V_{CC2}
- ④ OUTPUT
- ⑤ GND

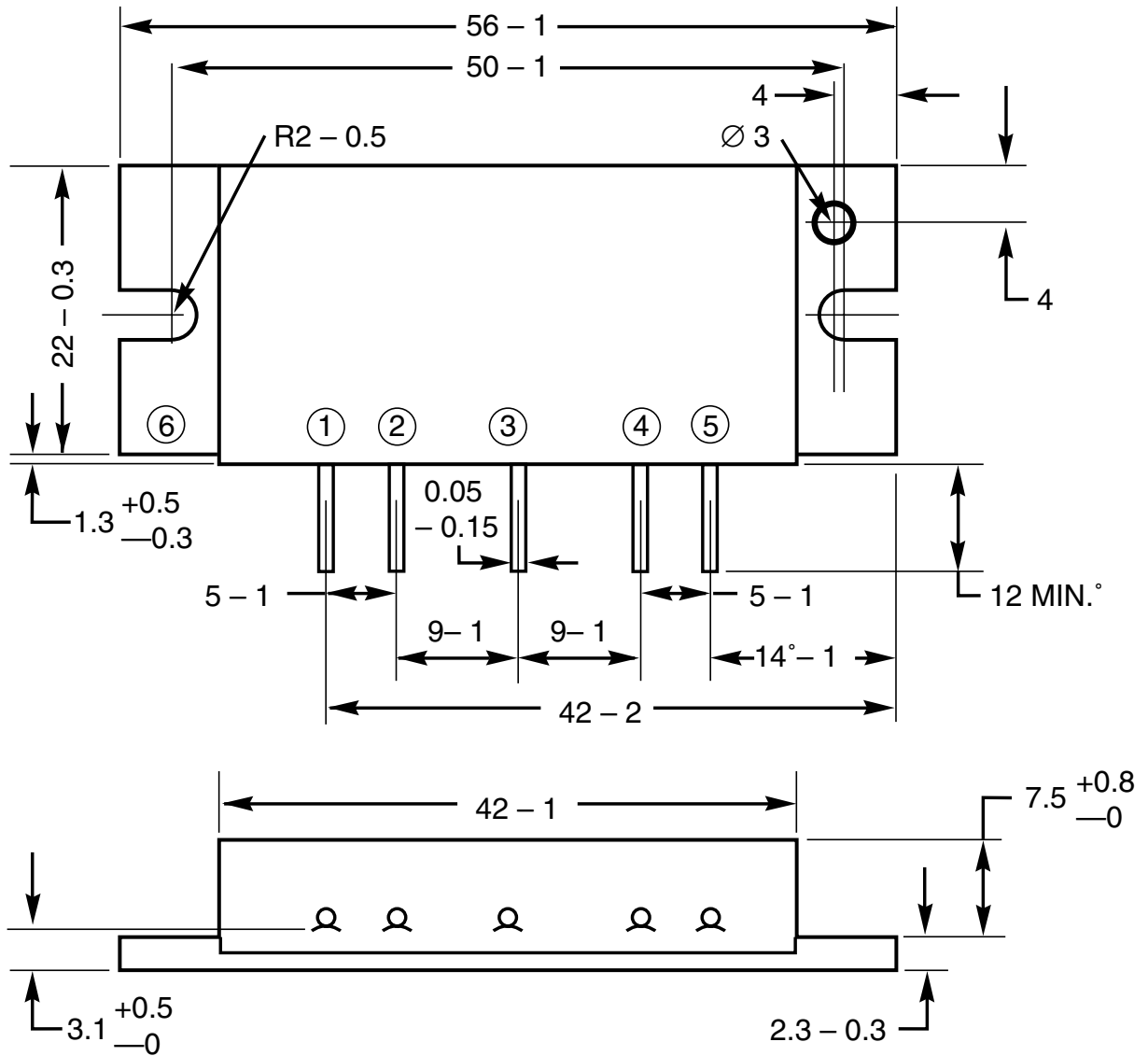
H15



PIN:

- ① INPUT
- ② V_{CC1}
- ③ V_{CC2}
- ④ V_{CC3}
- ⑤ OUTPUT
- ⑥ GND

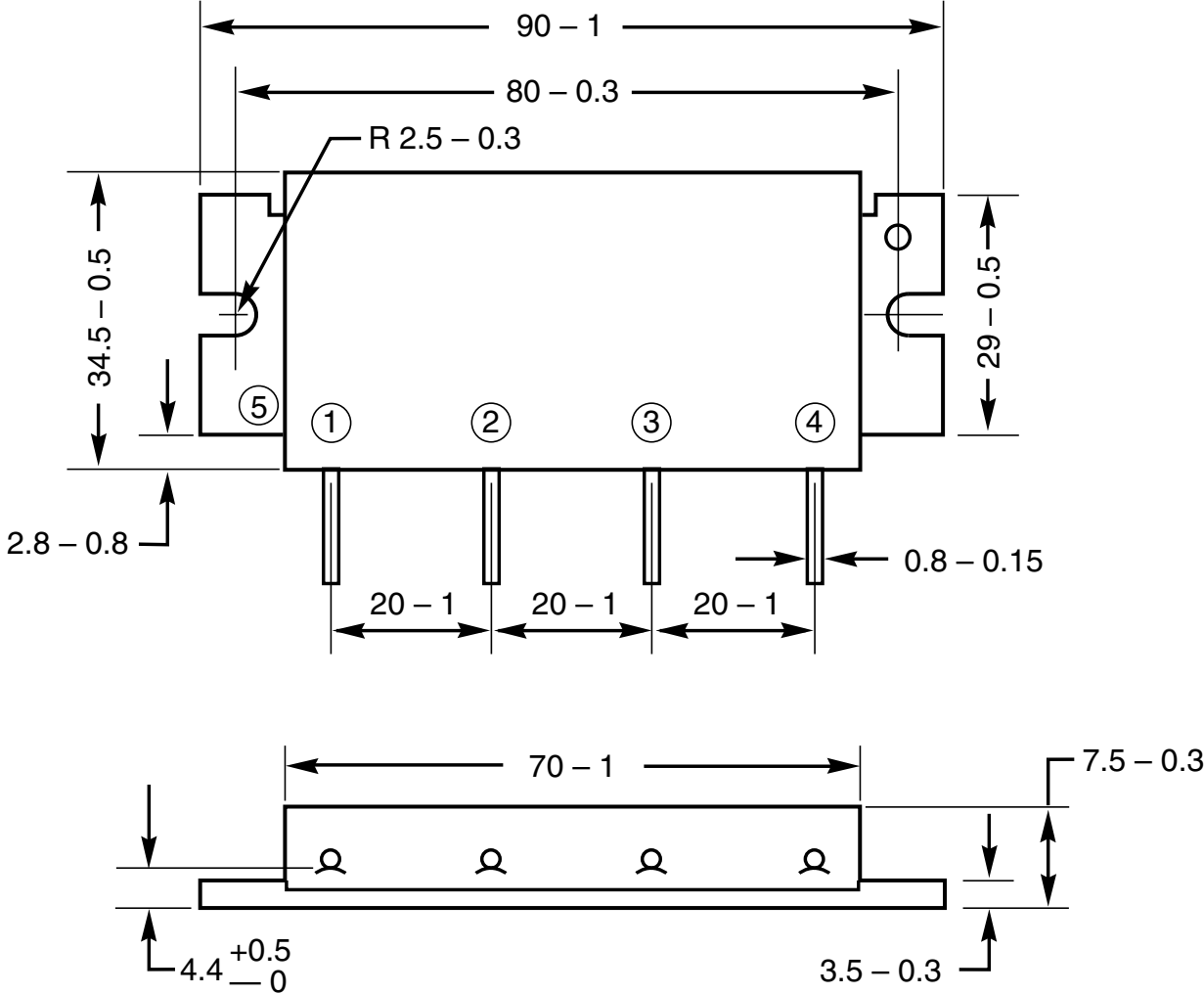
H16



PIN:

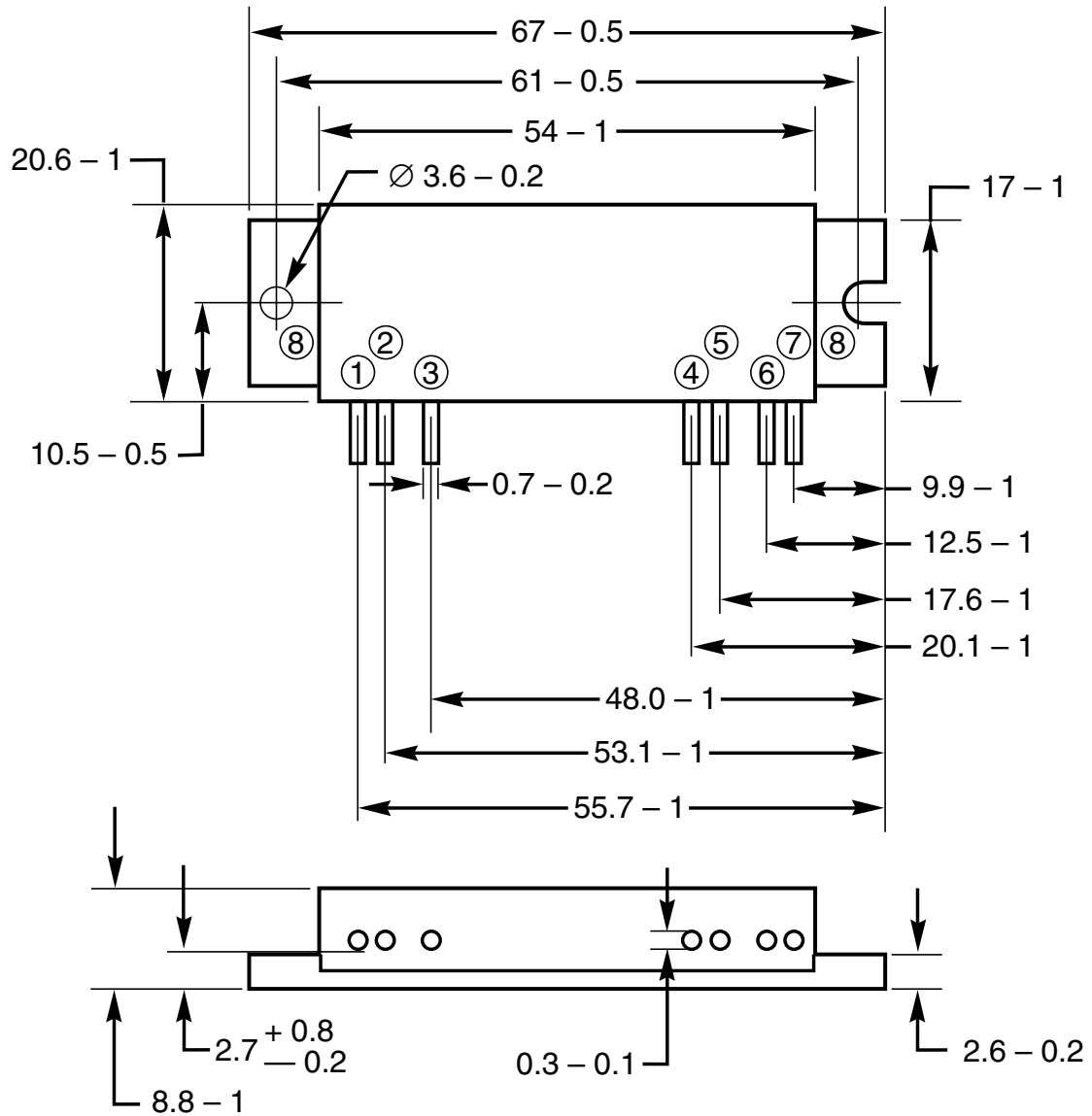
- ① INPUT
- ② V_{CC1}
- ③ V_{CC2}
- ④ V_{CC3}
- ⑤ OUTPUT
- ⑥ GND

H17



- PIN:
- ① INPUT
 - ② V_{CC2}
 - ③ V_{CC2}
 - ④ OUTPUT
 - ⑤ GND

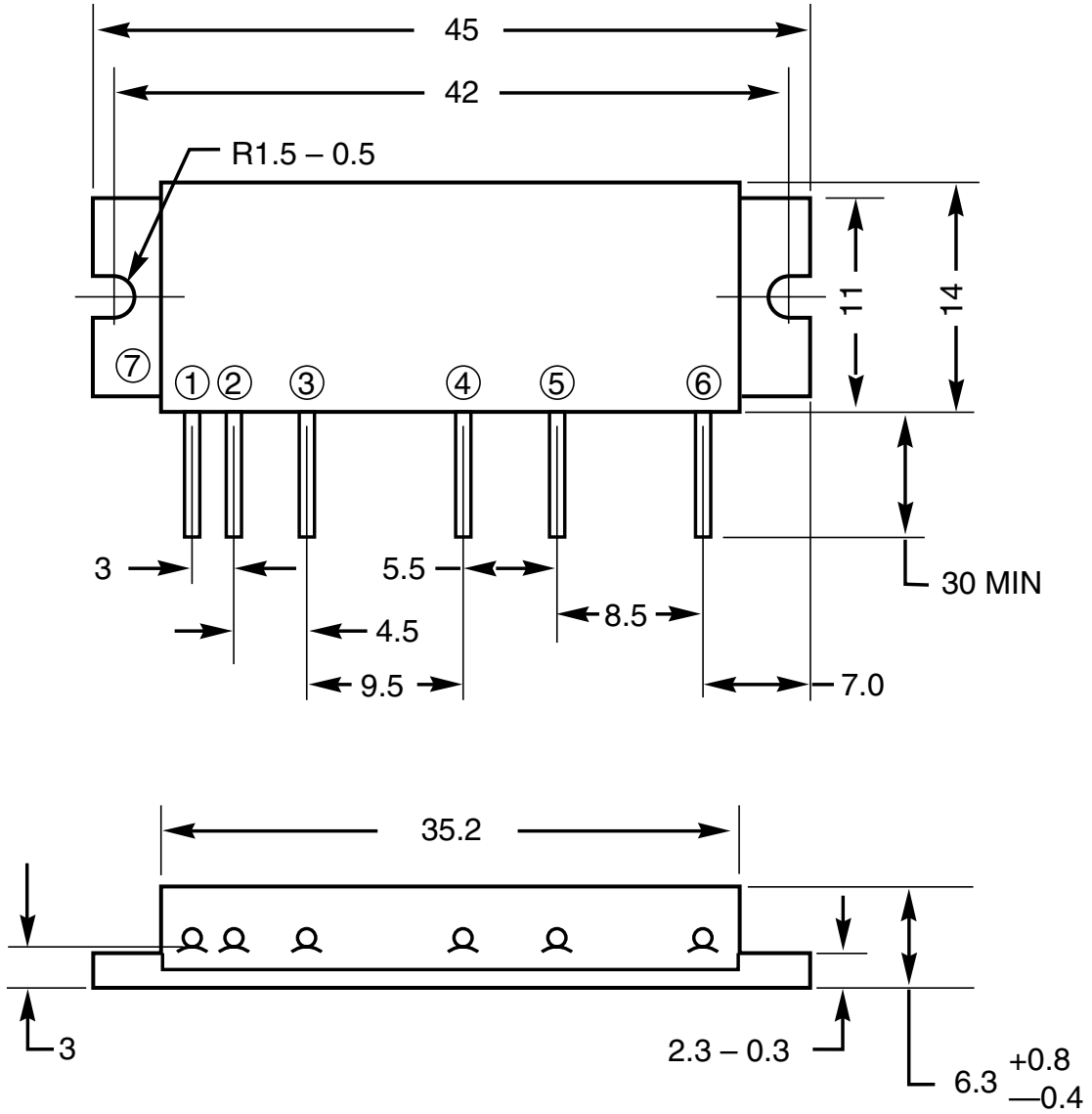
H18



PIN:

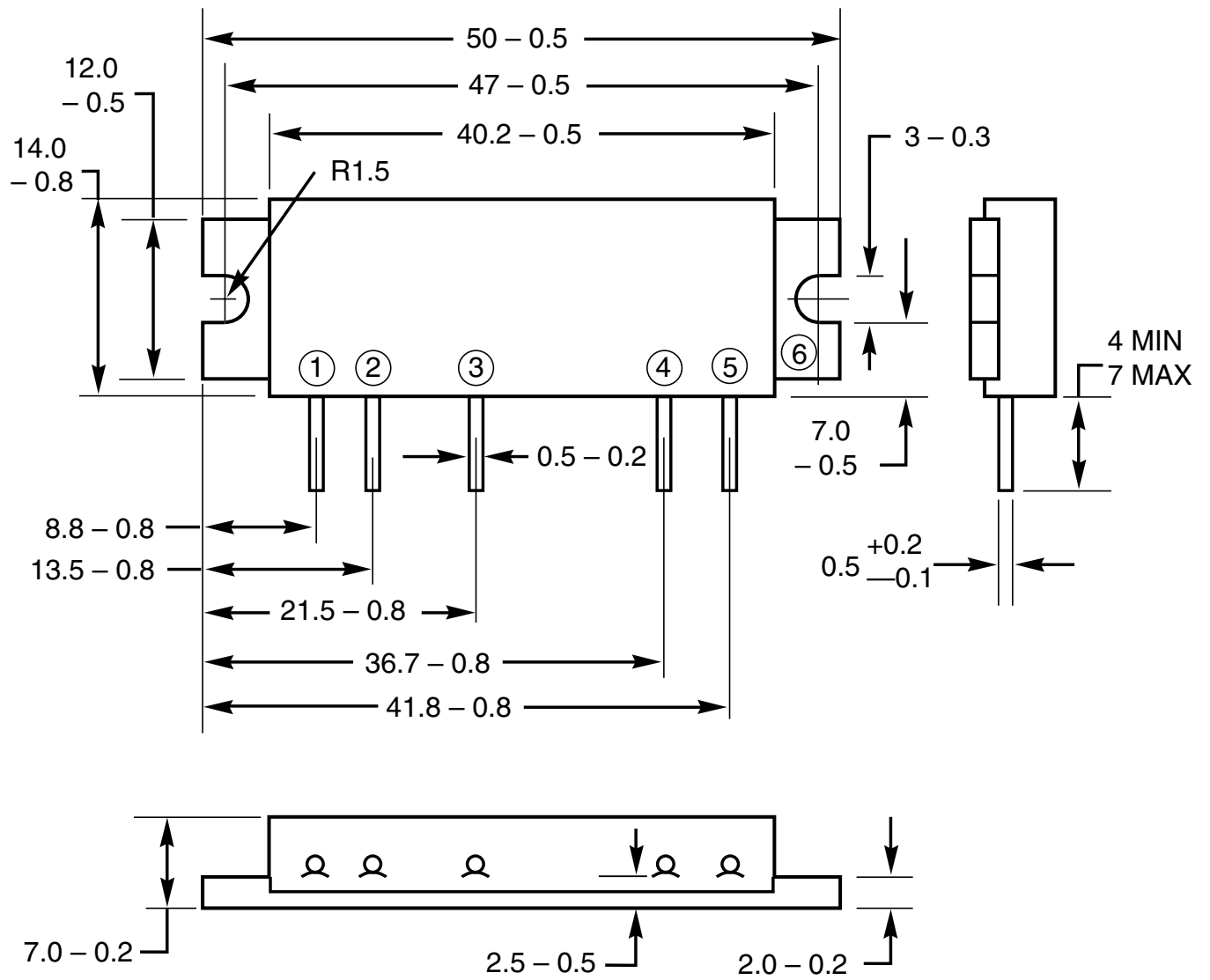
- | | |
|-------------|-------------|
| ① OUTPUT | ⑤ V_{CC1} |
| ② GND | ⑥ GND |
| ③ V_{CC2} | ⑦ INPUT |
| ④ GND | ⑧ GND |

H24

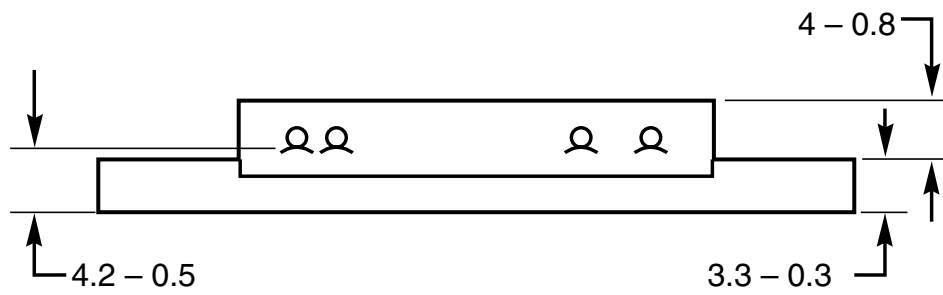
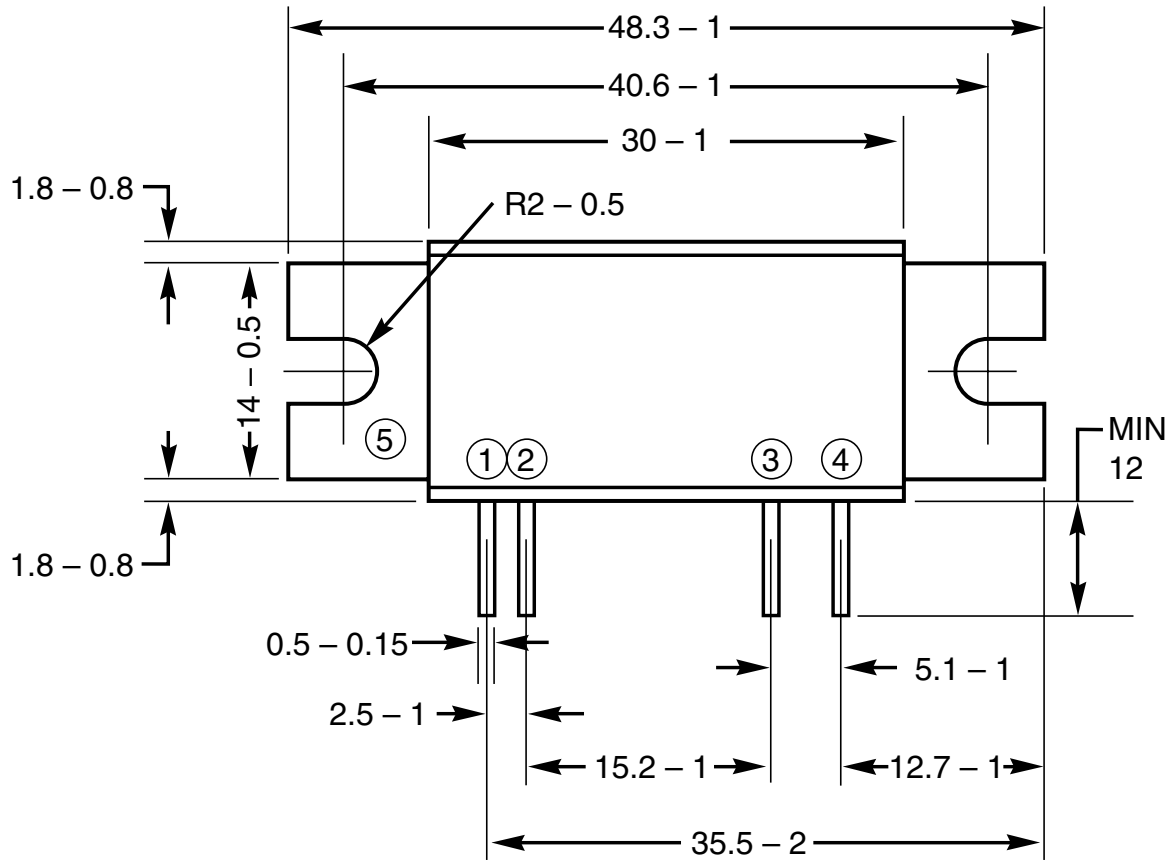


- | | |
|------------|------------|
| ① OUTPUT | ⑤ V_{D2} |
| ② V_{G1} | ⑥ OUTPUT |
| ③ V_{D1} | ⑦ GND |
| ④ V_{G2} | |

H25

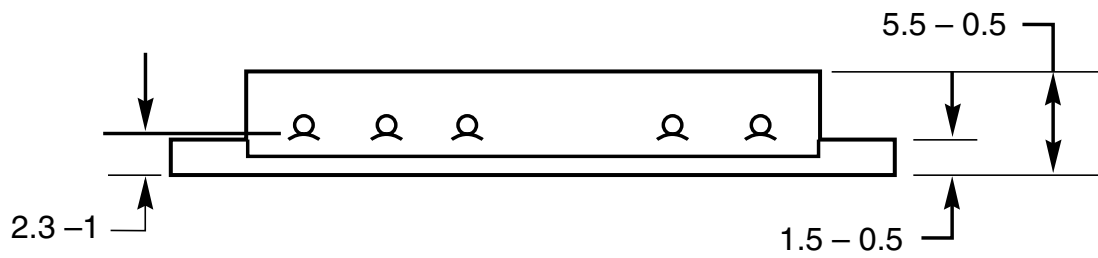
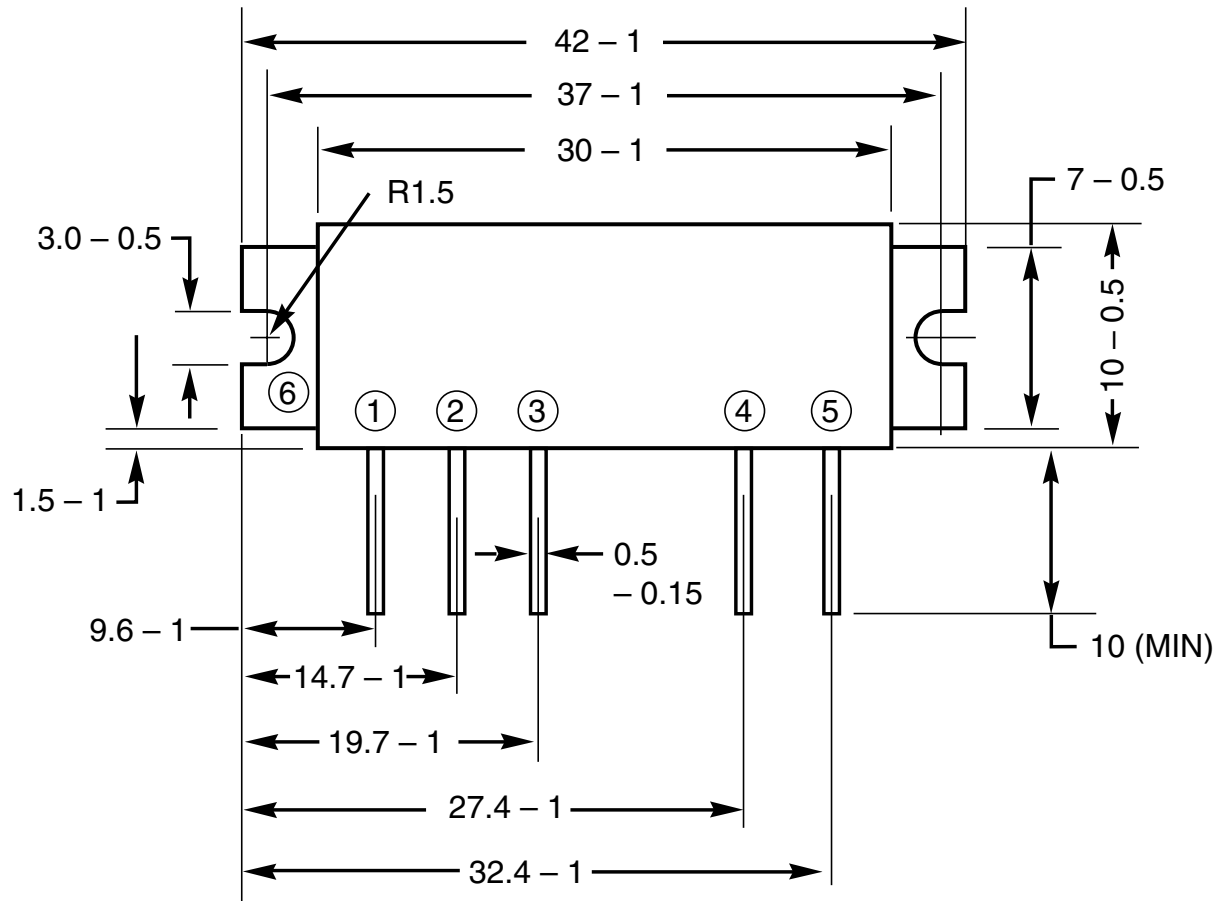


H26



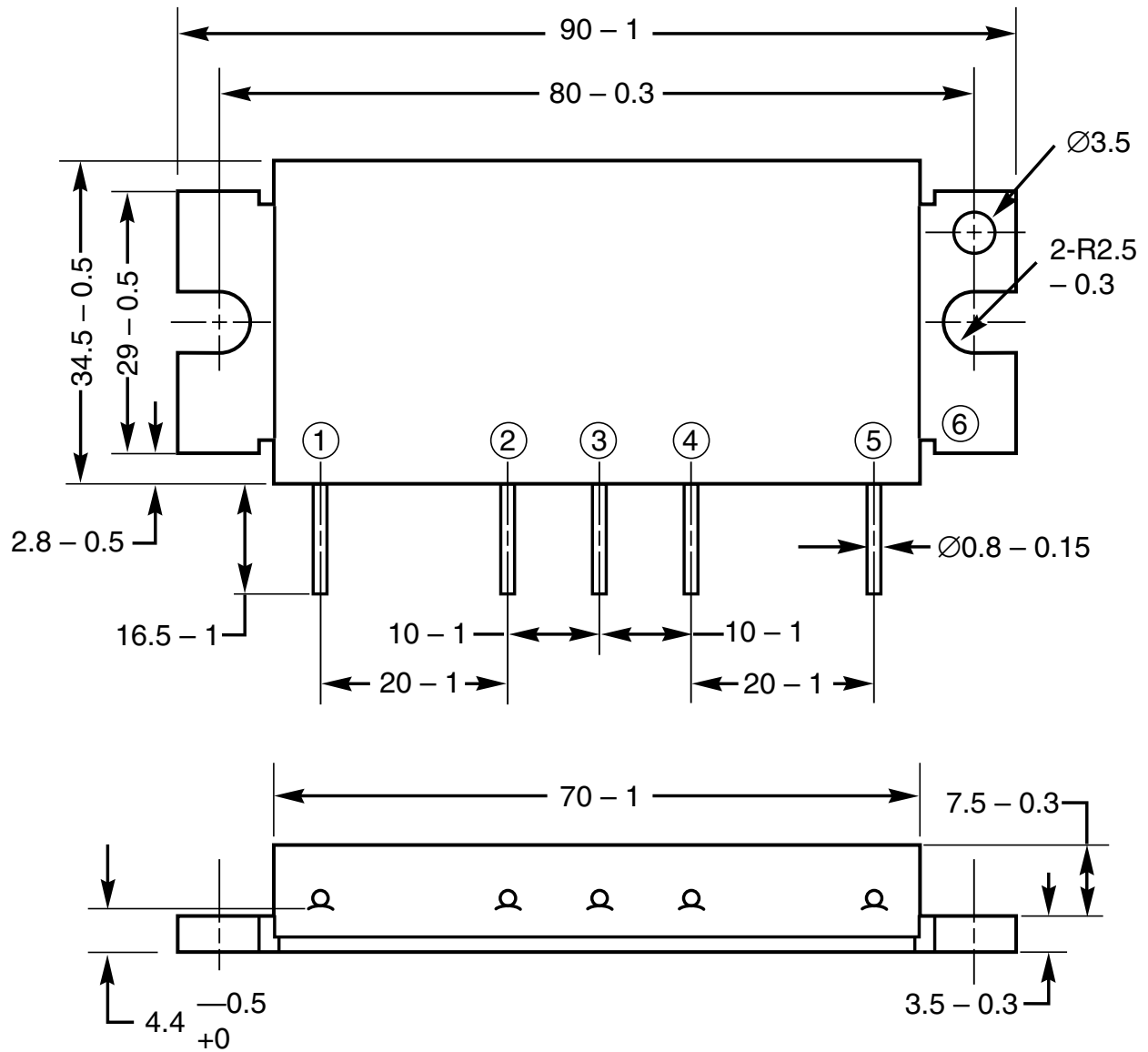
- | | | |
|--------------------|--------------------|-------|
| ① INPUT | ③ V _{CC2} | ⑤ GND |
| ② V _{CC1} | ④ OUTPUT | |

H27



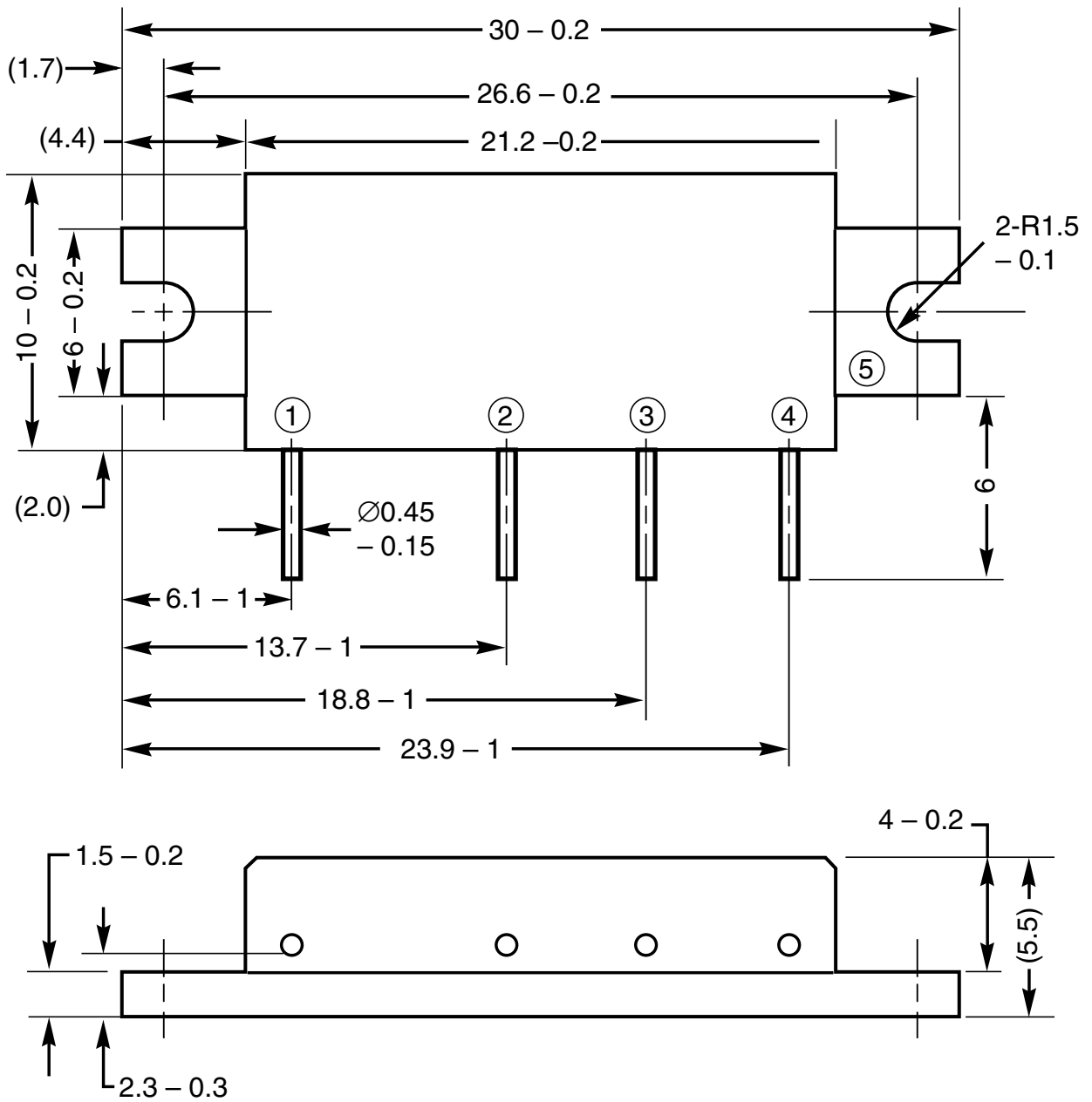
- | | | |
|-------------|-------------|----------|
| ① INPUT | ③ V_{BB} | ⑤ OUTPUT |
| ② V_{CC2} | ④ V_{CC1} | ⑥ GND |

H28



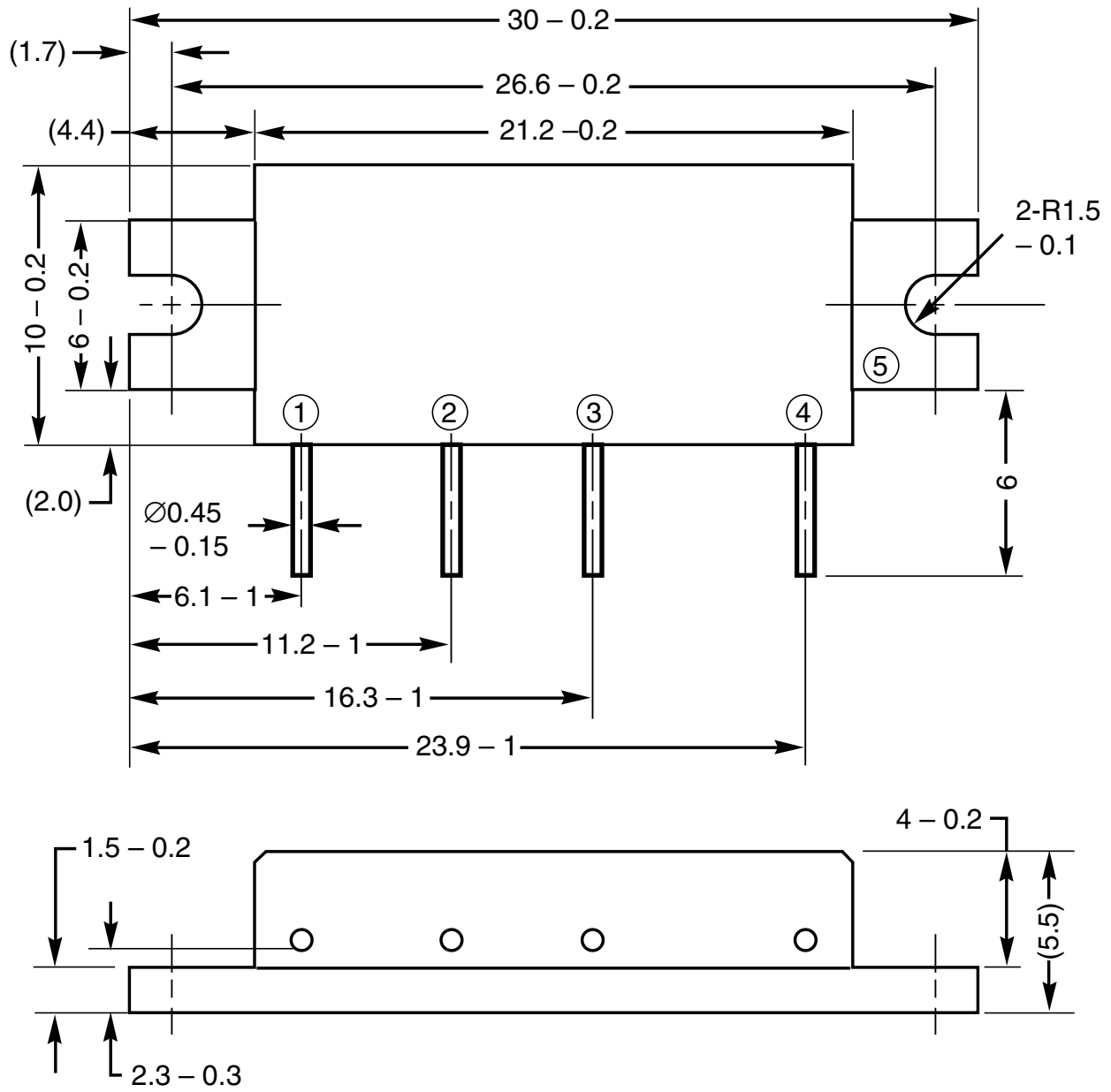
- | | |
|--------------------------------------|------------------------------------|
| ① P _{IN} : RF INPUT | ④ V _{CC2} : 2nd DC SUPPLY |
| ② V _{CC1} : 1st DC SUPPLY | ⑤ P _O : RF OUTPUT |
| ③ V _{BB} : BASE BIAS SUPPLY | ⑥ GND : FIN |

H46



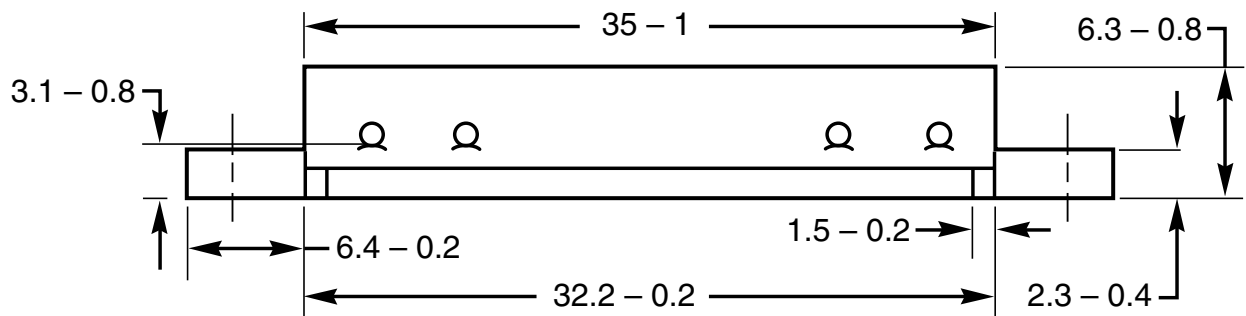
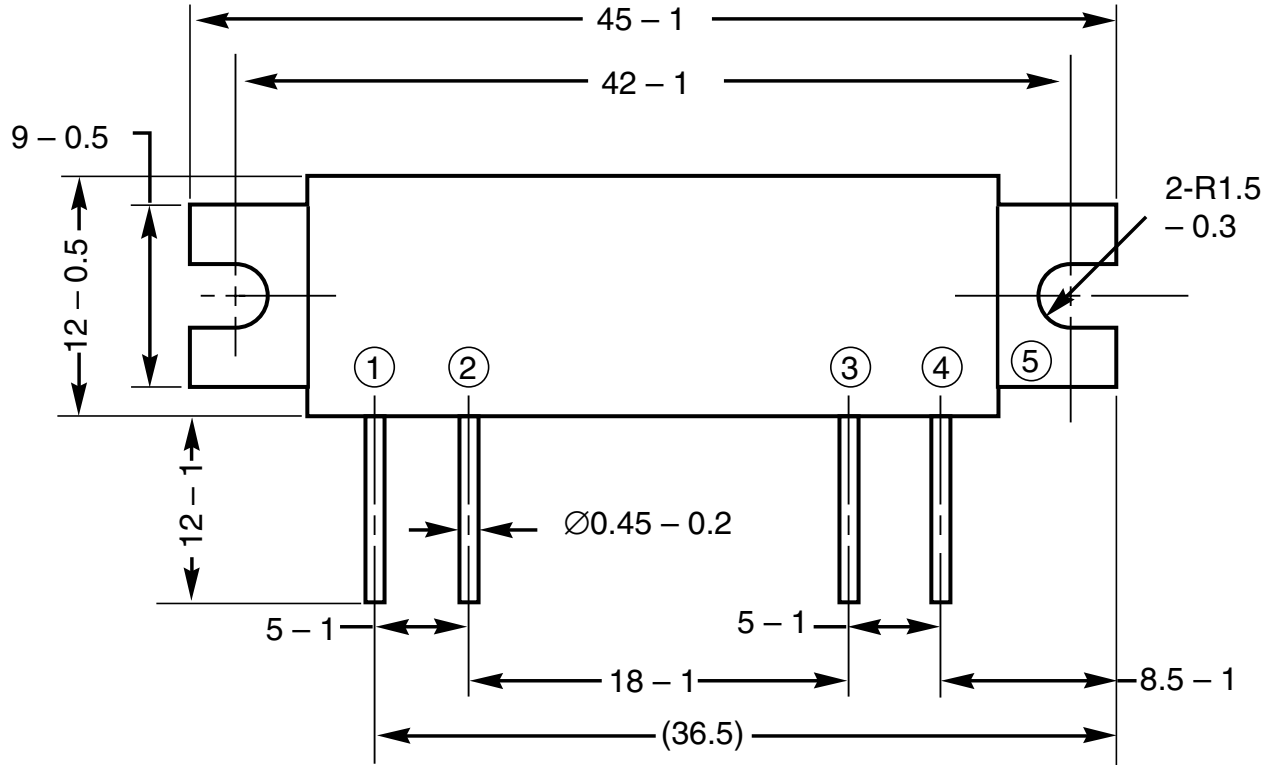
- | | |
|--------------------------------|---------------------|
| ① P_{IN} : RF INPUT | ④ P_O : RF OUTPUT |
| ② V_{GG} : GATE BIAS SUPPLY | ⑤ GND : FIN |
| ③ V_{DD} : DRAIN BIAS SUPPLY | |

H47



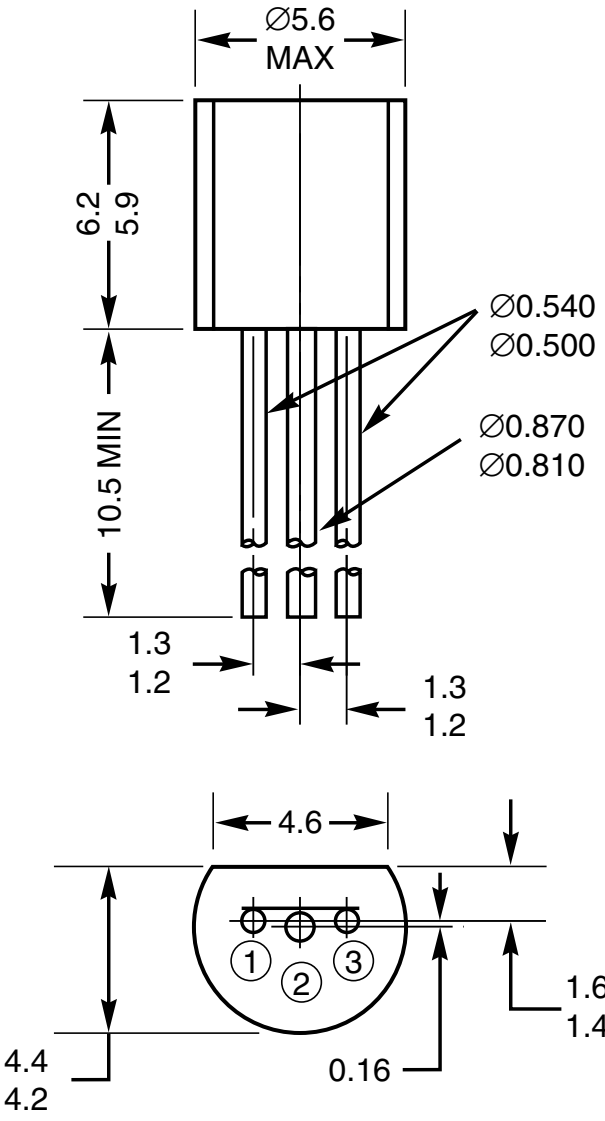
- ① P_O : RF OUTPUT
- ② V_{DD} : DRAIN BIAS SUPPLY
- ③ V_{GG} : GATE BIAS SUPPLY
- ④ P_{IN} : RF INPUT
- ⑤ GND : FIN

H50



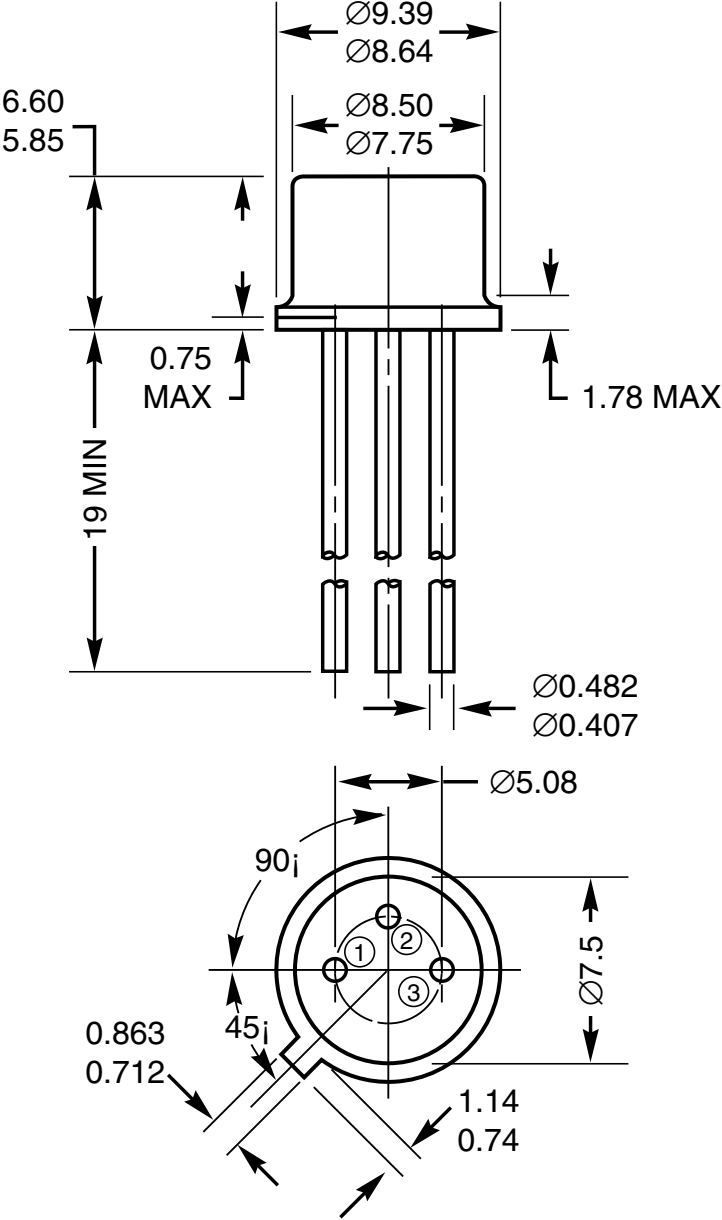
- | | |
|--------------------------------|---------------------|
| ① P_{IN} : RF INPUT | ④ P_O : RF OUTPUT |
| ② V_{GG} : GATE BIAS SUPPLY | ⑤ GND : FIN |
| ③ V_{DD} : DRAIN BIAS SUPPLY | |

T-1B



- ① EMITTER
- ② COLLECTOR
- ③ BASE

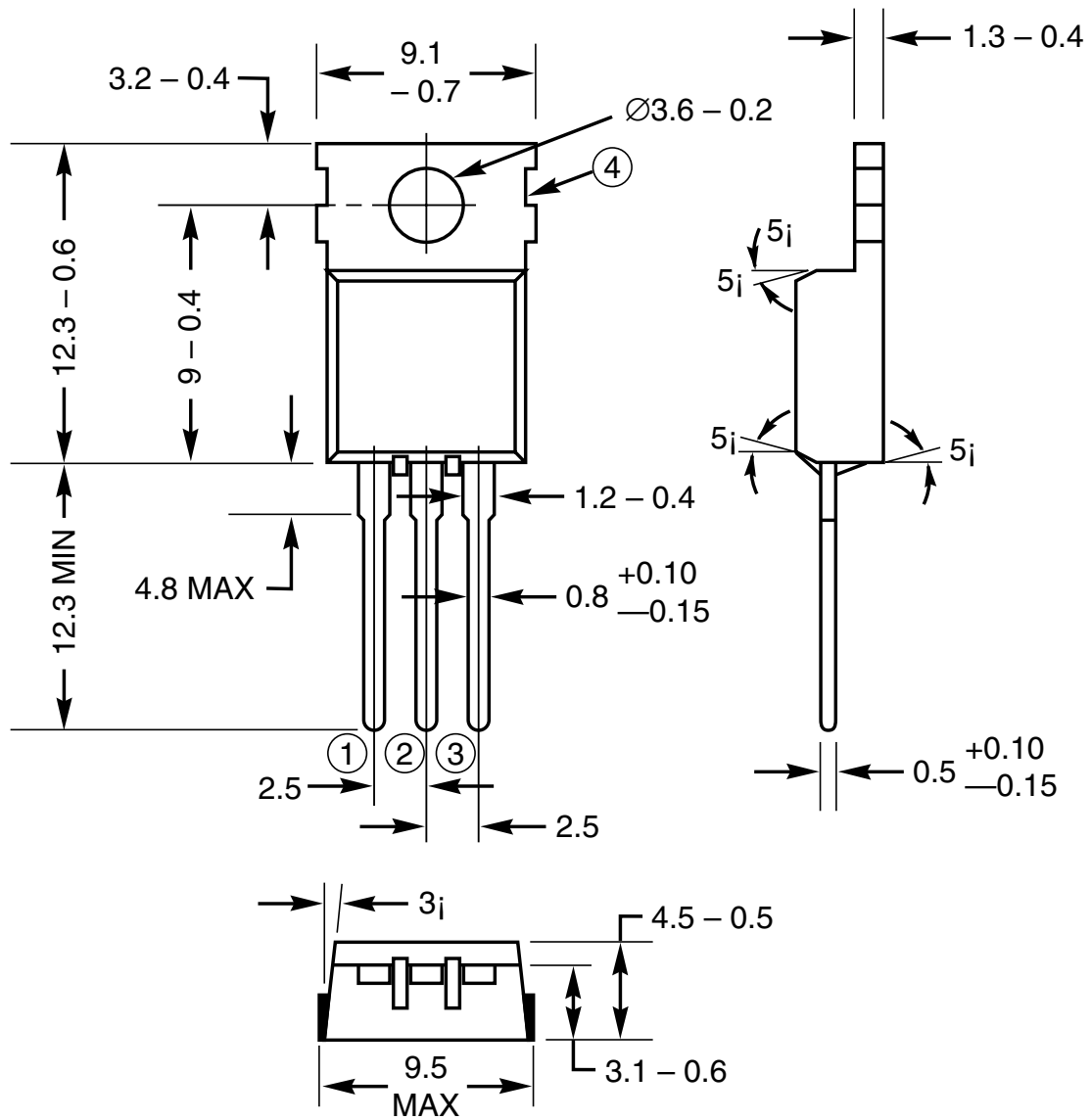
T-8,C,E



- ① EMITTER
- ② BASE
- ③ COLLECTOR JEDEC: TO-39

NOTE T-8C: COLLECTOR ELECTRODE IS CONNECTED WITH CASE.
 T-8E: EMITTER ELECTRODE IS CONNECTED WITH CASE.

T-30,E



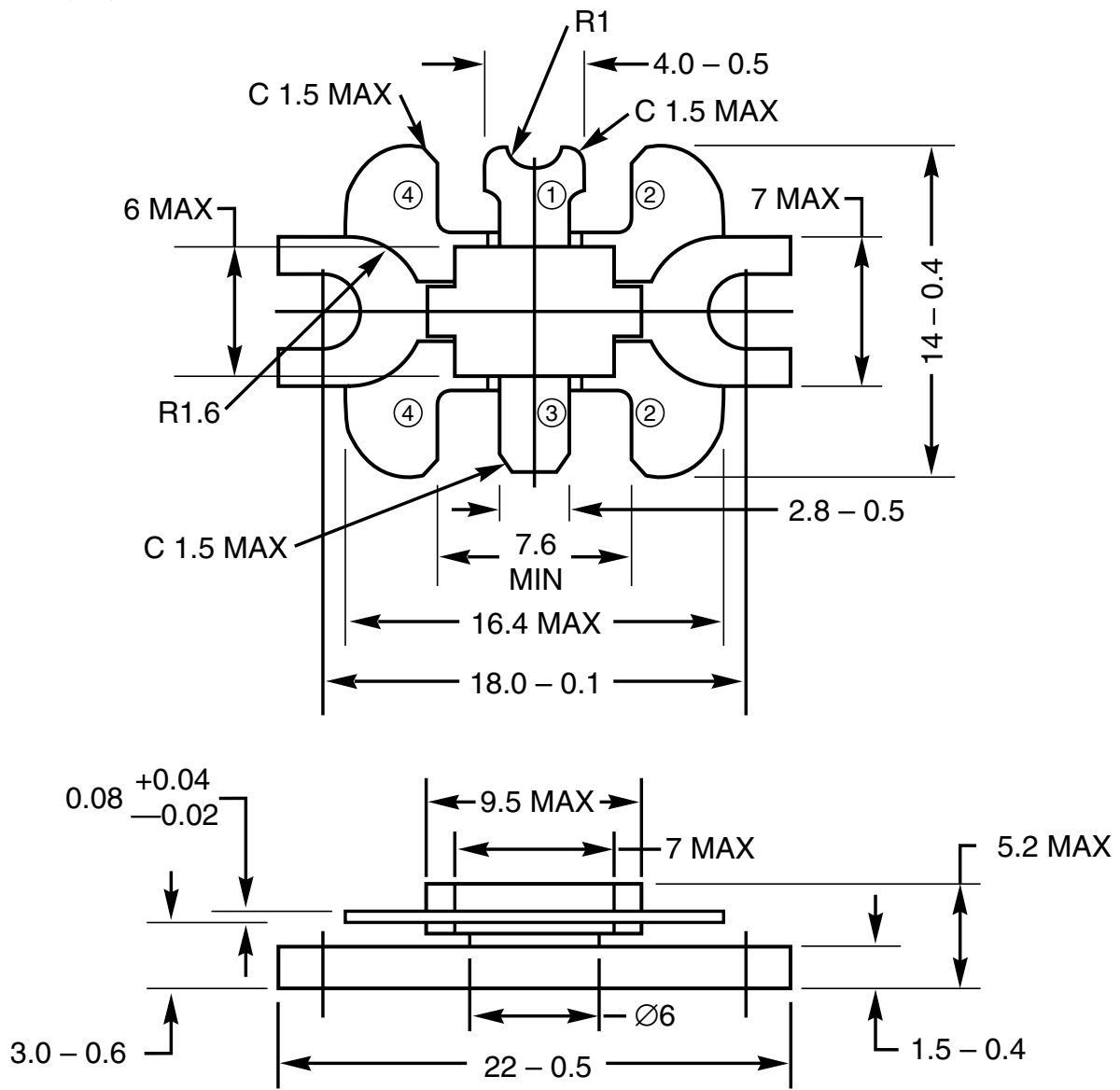
T-30

- ① BASE
- ② COLLECTOR (FIN)
- ③ EMITTER
- ④ FIN (COLLECTOR)

T-30E

- ① BASE
- ② EMITTER (FIN)
- ③ COLLECTOR
- ④ FIN (EMITTER)

T-31,B,E



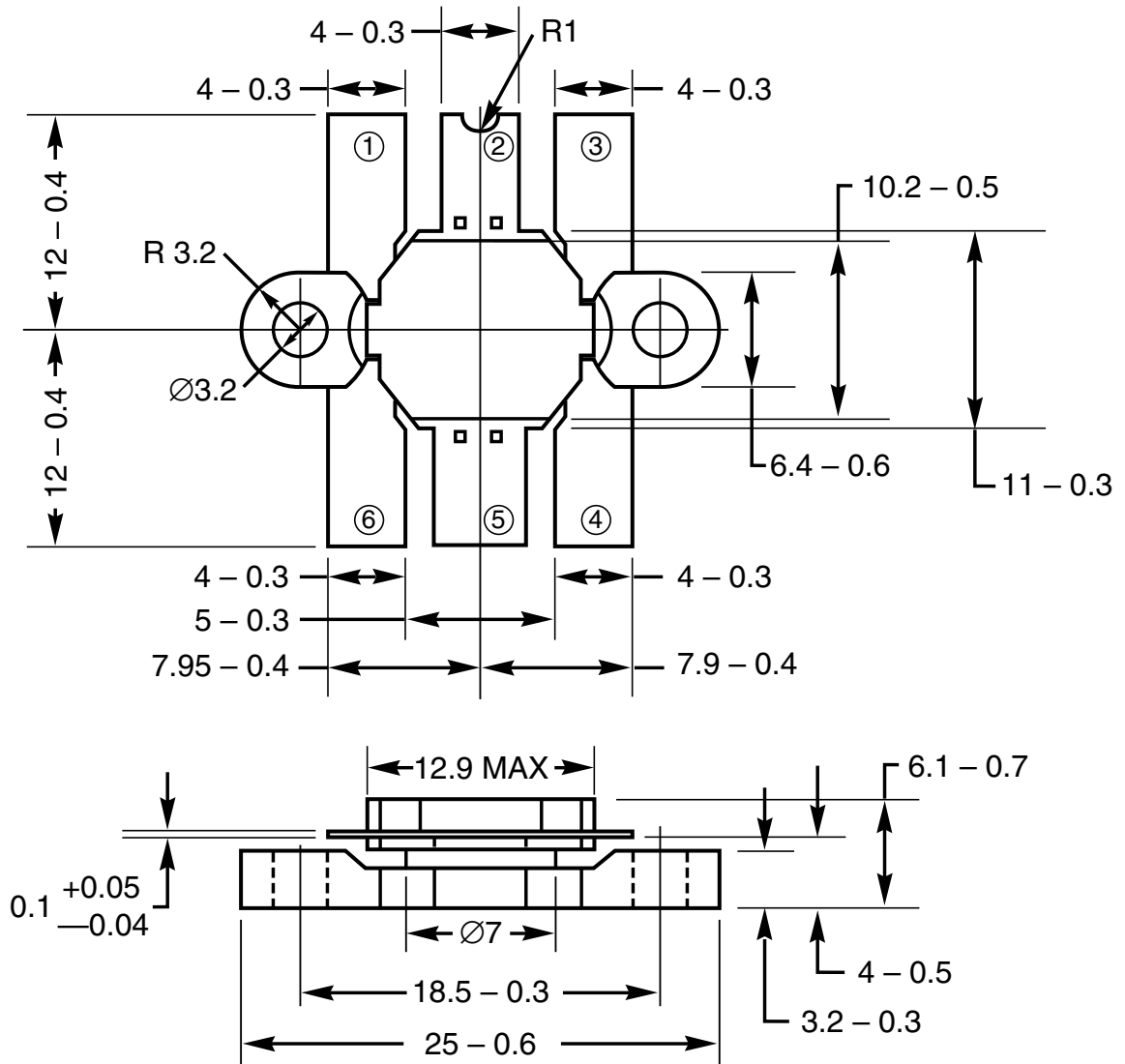
T-31B

- ① COLLECTOR
- ② BASE (FLANGE)
- ③ EMITTER
- ④ BASE (FLANGE)

T-31E

- ① COLLECTOR
- ② EMITTER (FLANGE)
- ③ BASE
- ④ EMITTER (FLANGE)

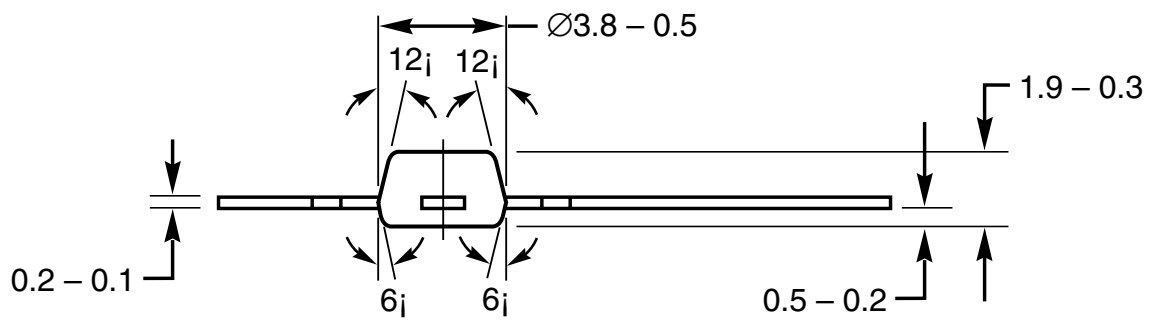
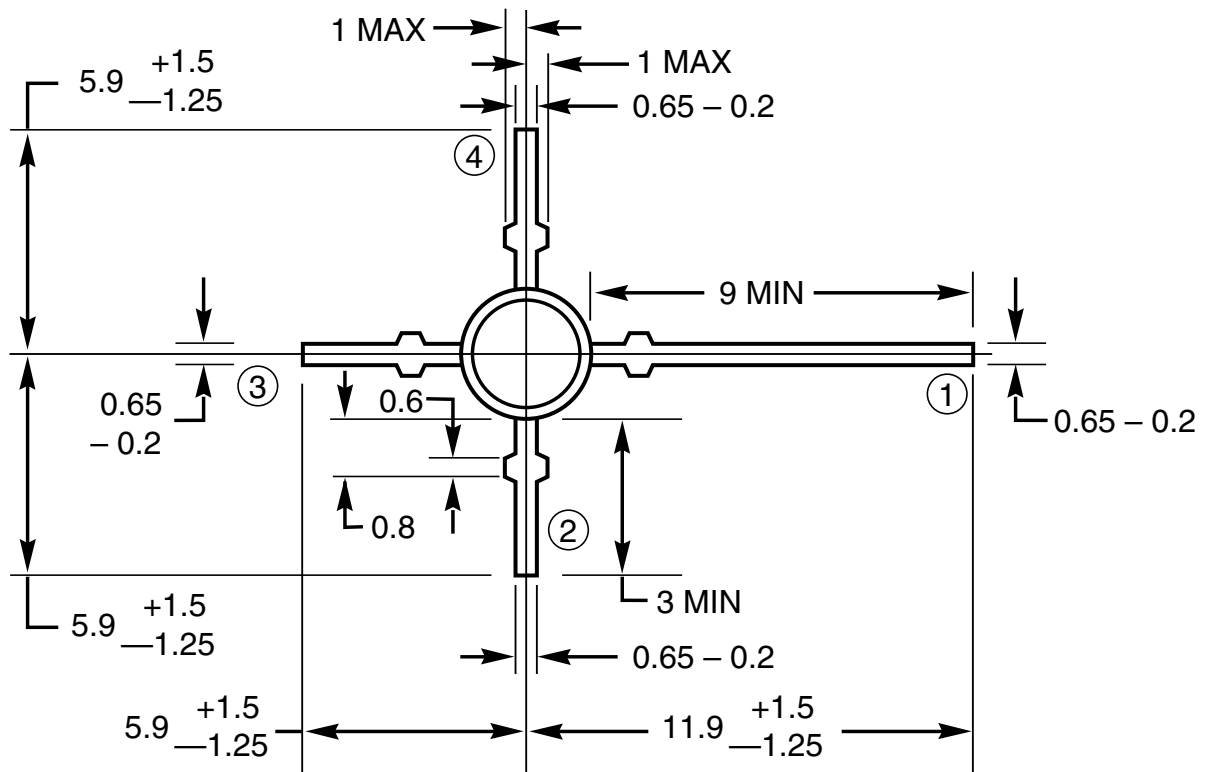
T-40,E



- ① COLLECTOR
- ② EMITTER
- ③ BASE
- ④ EMITTER

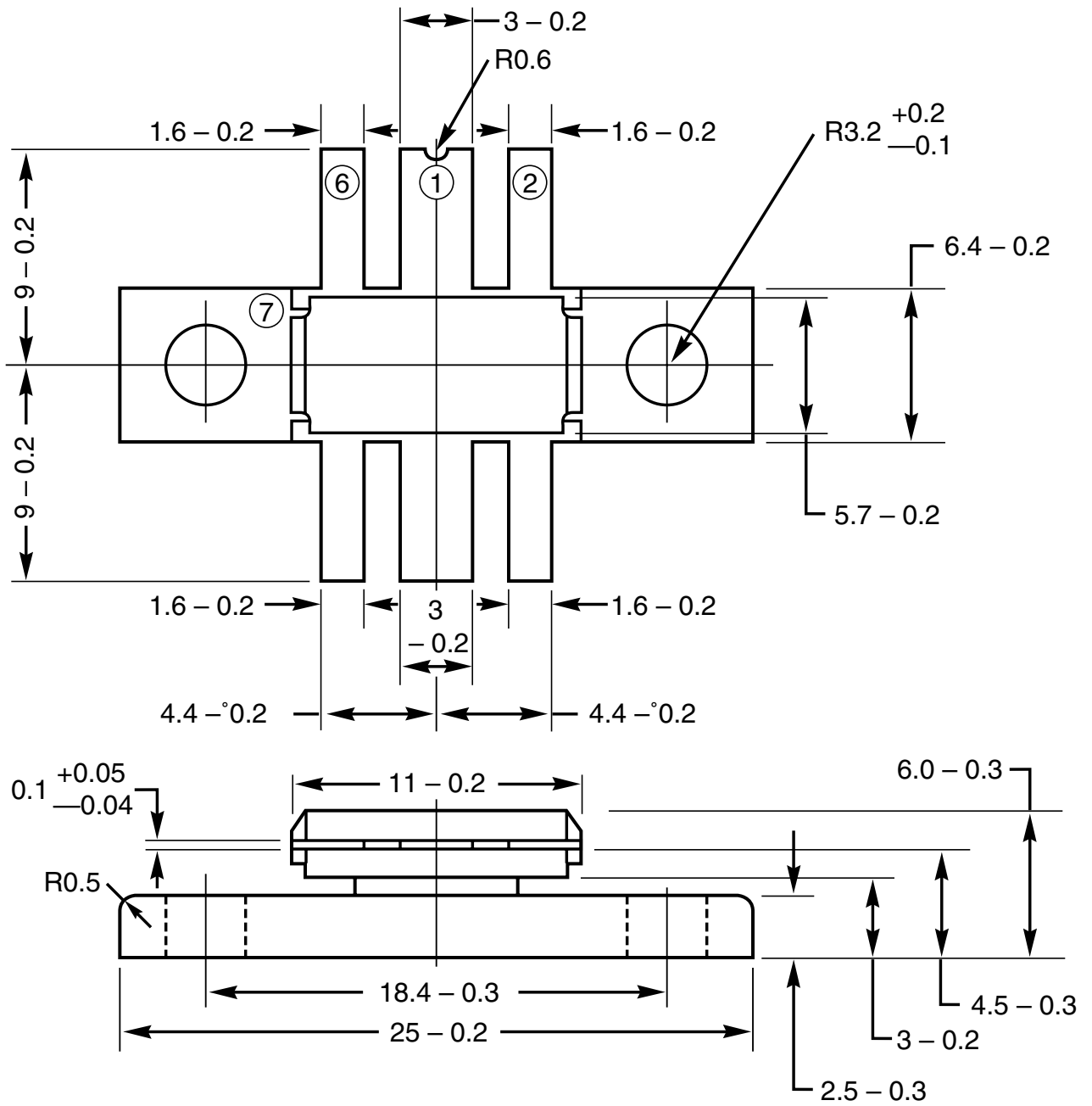
NOTE T-40: ALL ELECTRODES ARE ISOLATED FROM FLANGE.
 T-40E: EMITTER ELECTRODES ARE CONNECTED WITH FLANGE.

T-43



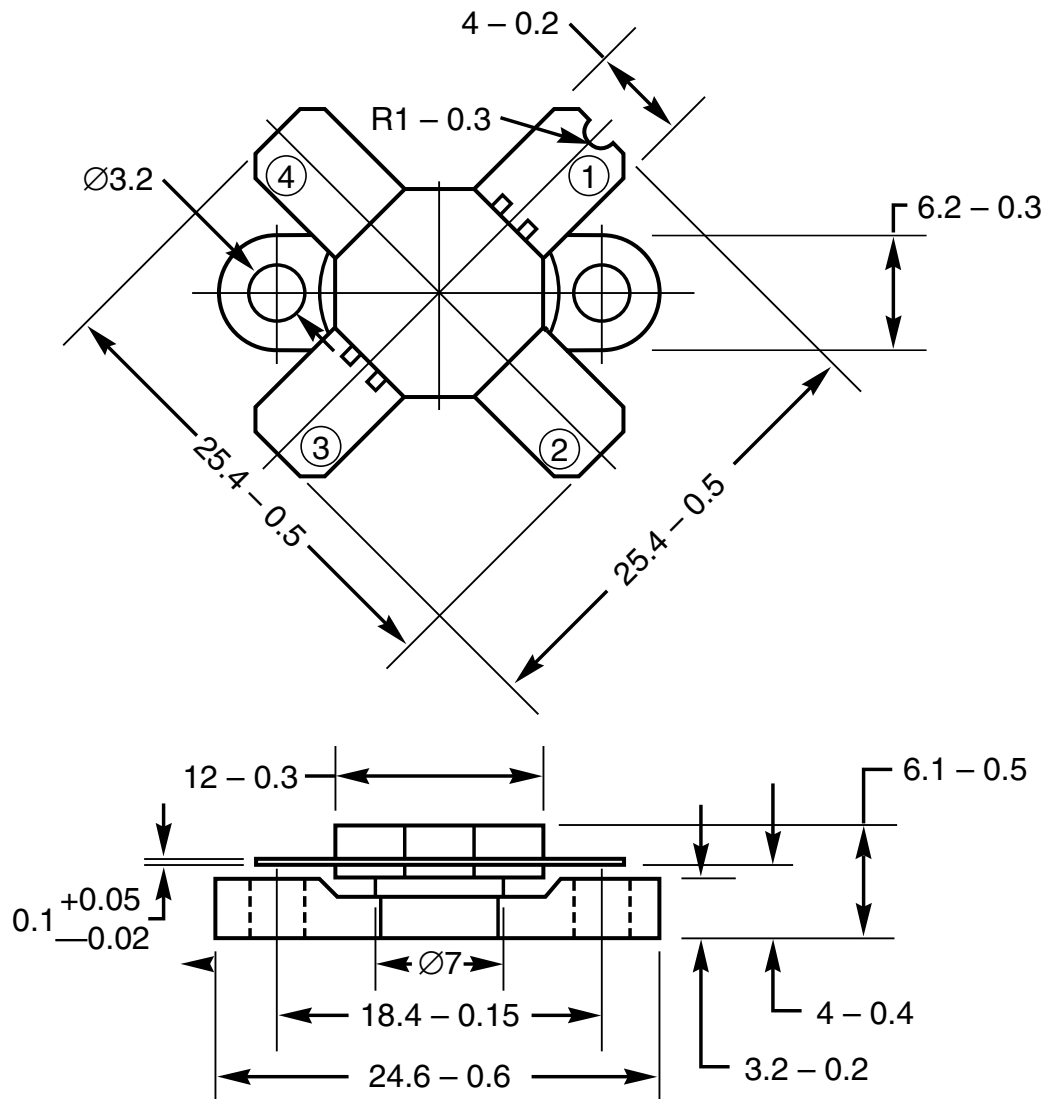
- ① COLLECTOR
- ② EMITTER
- ③ BASE
- ④ EMITTER

T-44



- ① COLLECTOR
- ② BASE (FLANGE)
- ③ EMITTER
- ④ BASE (FLANGE)

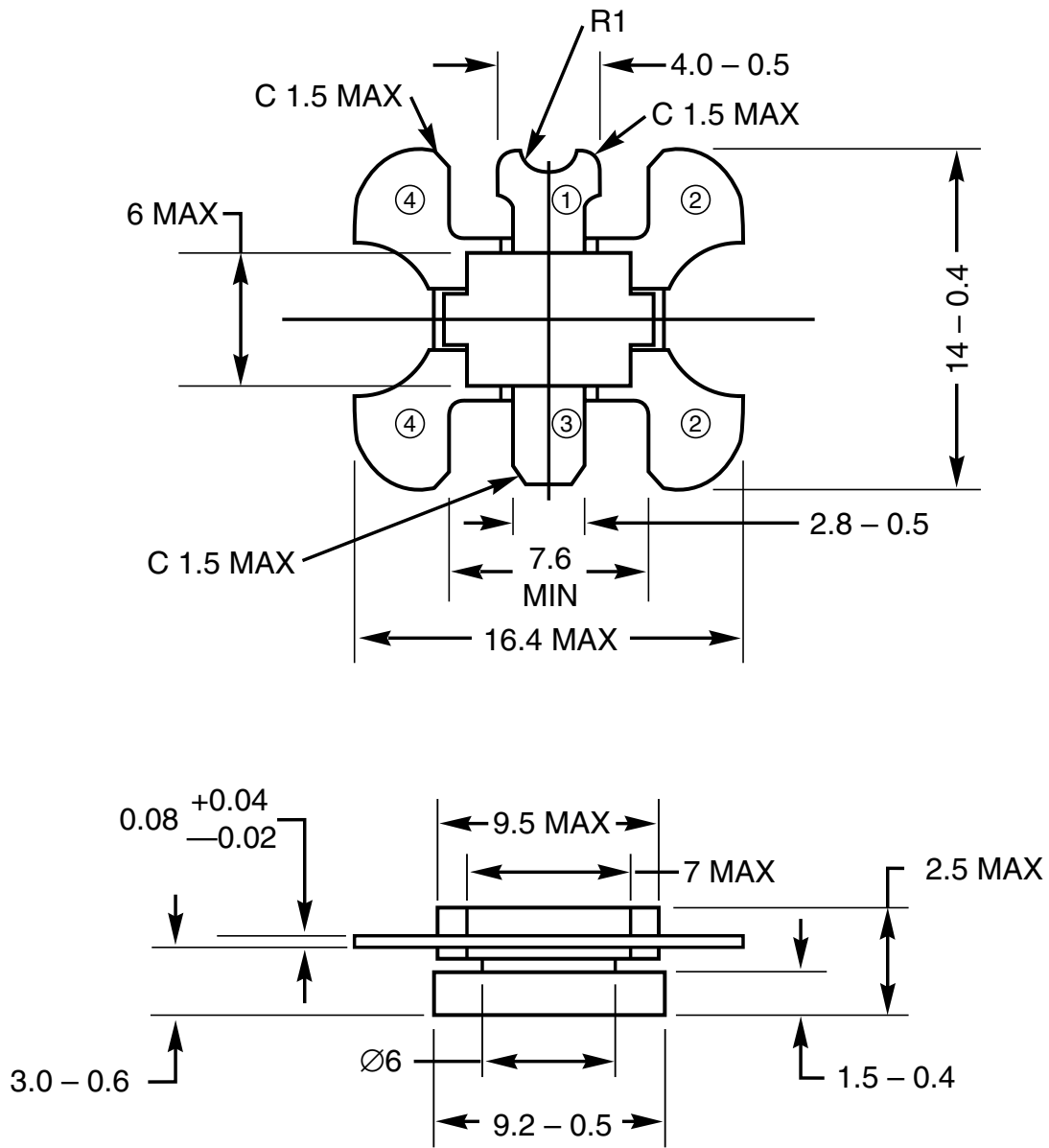
T-45,E



- ① COLLECTOR
- ② EMITTER
- ③ BASE
- ④ EMITTER

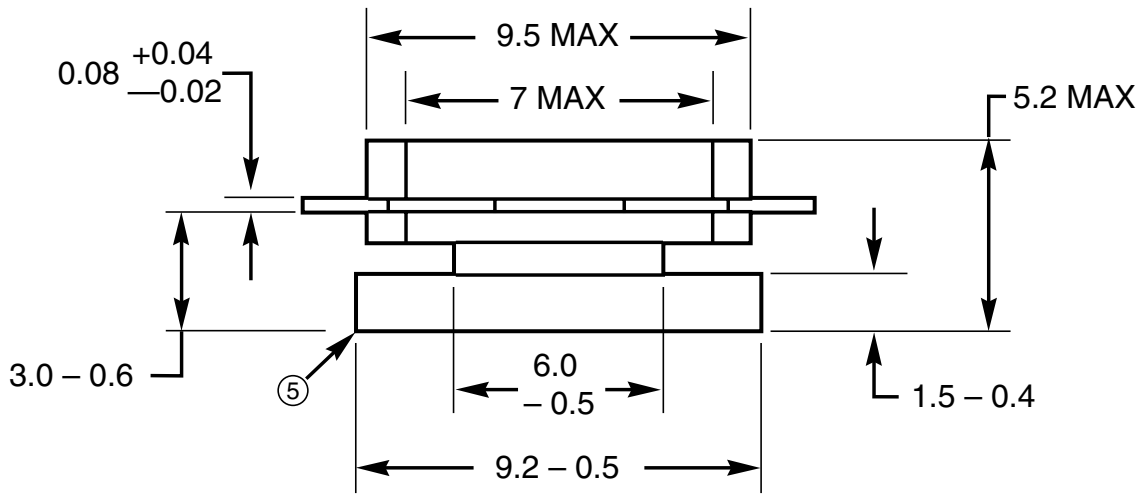
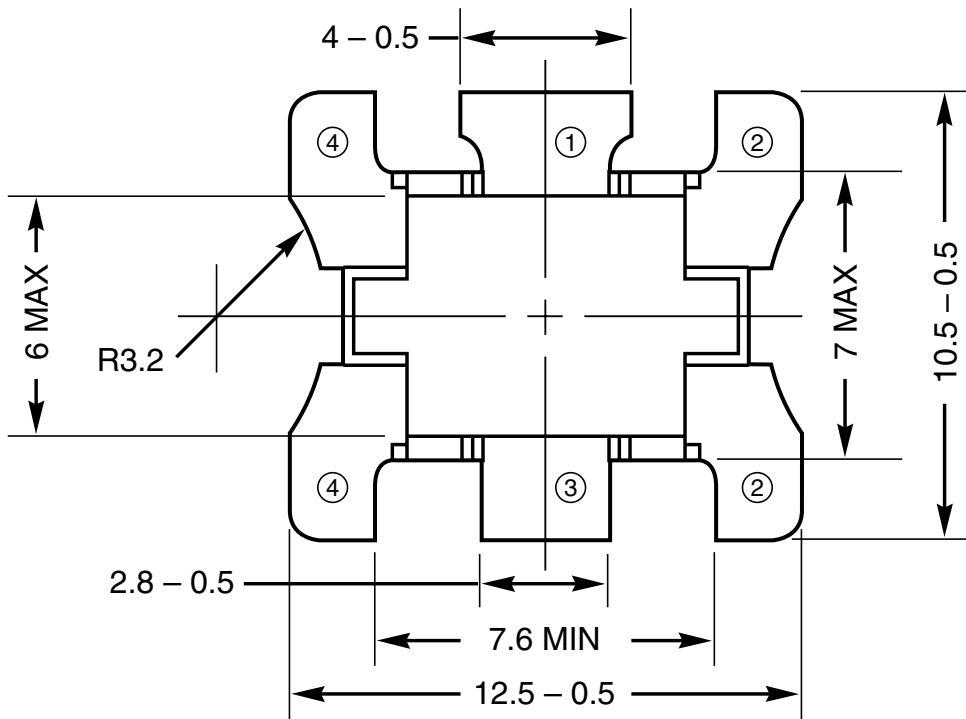
NOTE T-45: ALL ELECTRODES ARE ISOLATED FROM FLANGE.
T-45E: EMITTER ELECTRODES ARE CONNECTED WITH FLANGE.

T-46



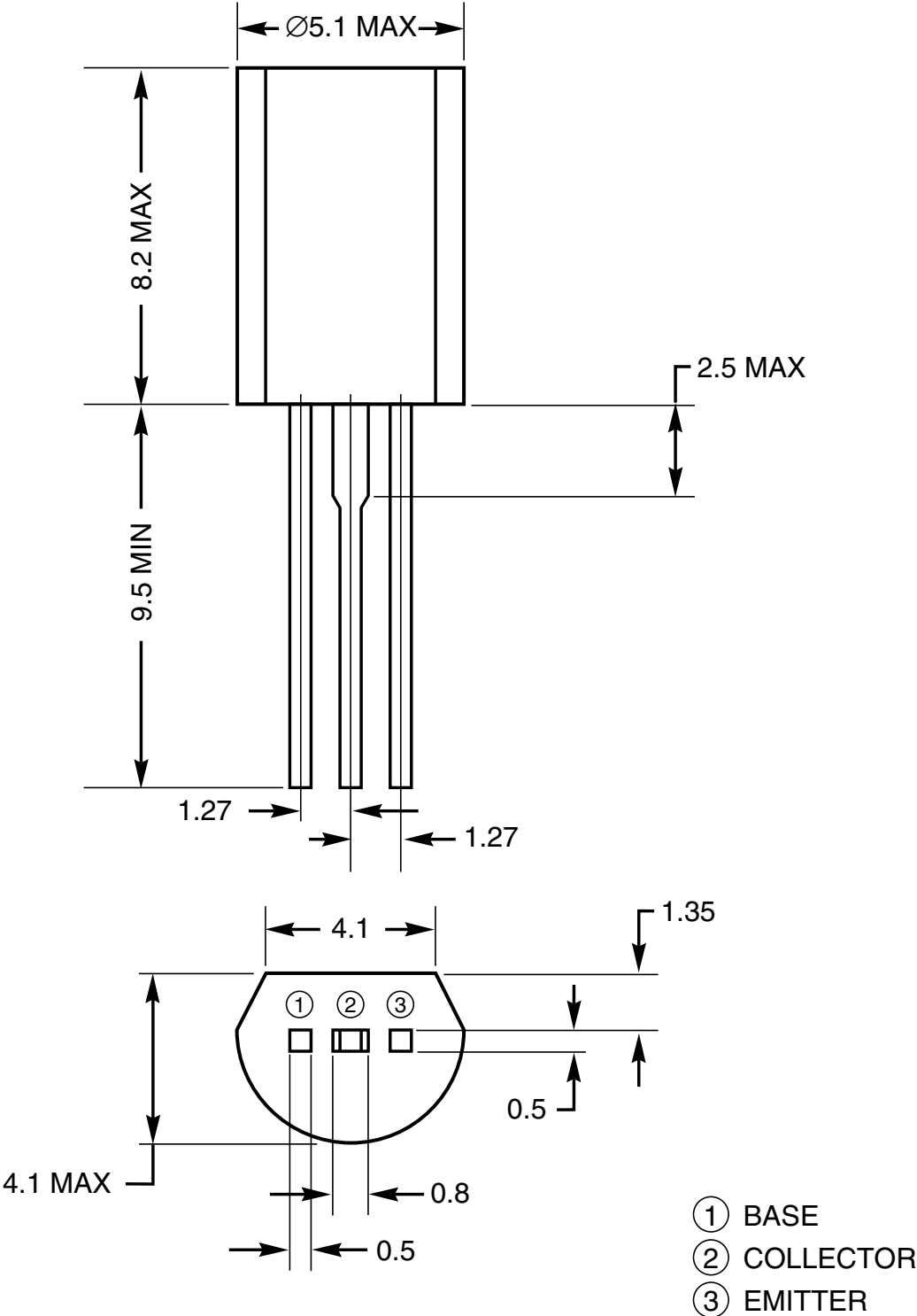
- ① COLLECTOR
- ② EMITTER (FLANGE)
- ③ BASE
- ④ EMITTER (FLANGE)

T-47

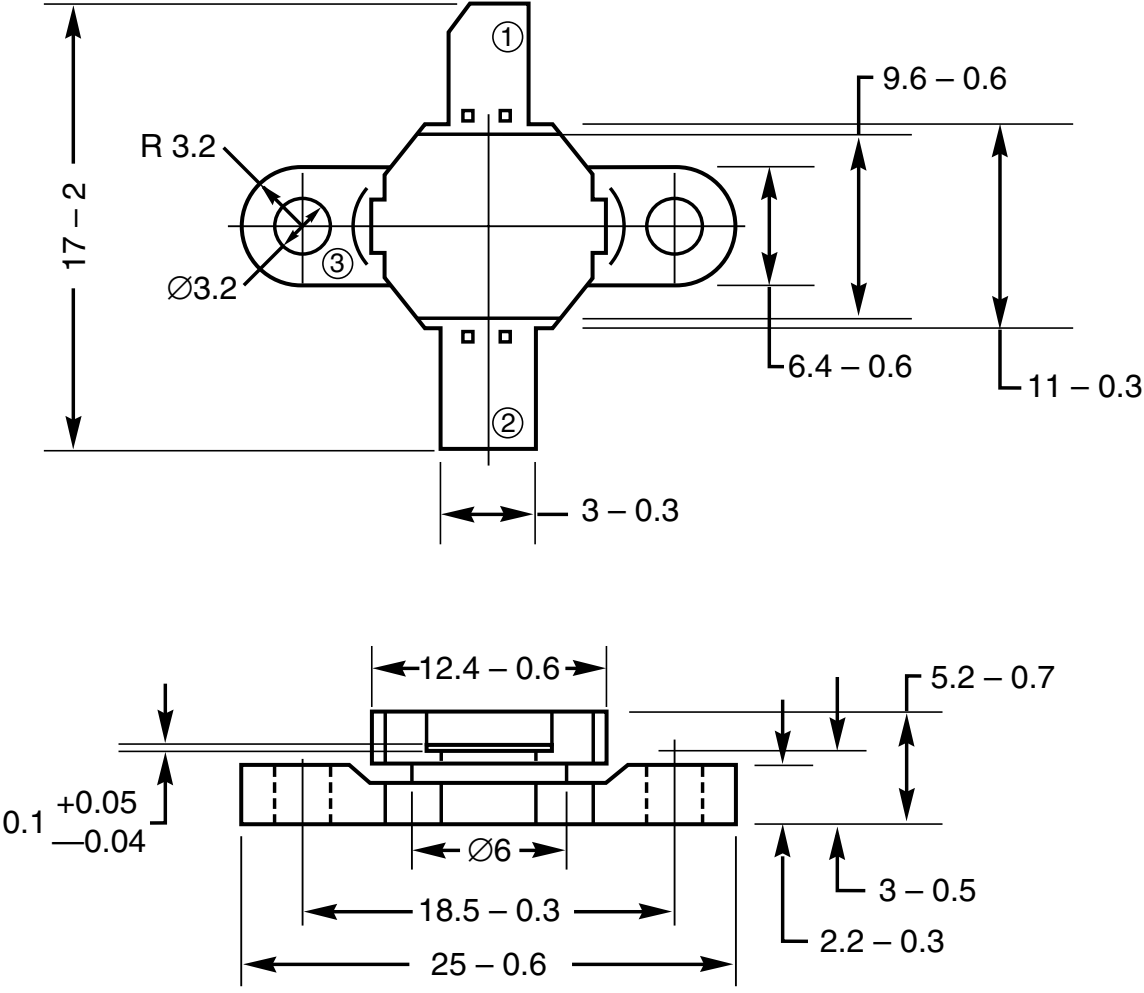


- ① COLLECTOR
- ② EMITTER (FLANGE)
- ③ BASE
- ④ EMITTER (FLANGE)
- ⑤ FIN (EMITTER)

TO-92L



X-139



- ① COLLECTOR
- ② EMITTER
- ③ BASE (FLANGE)